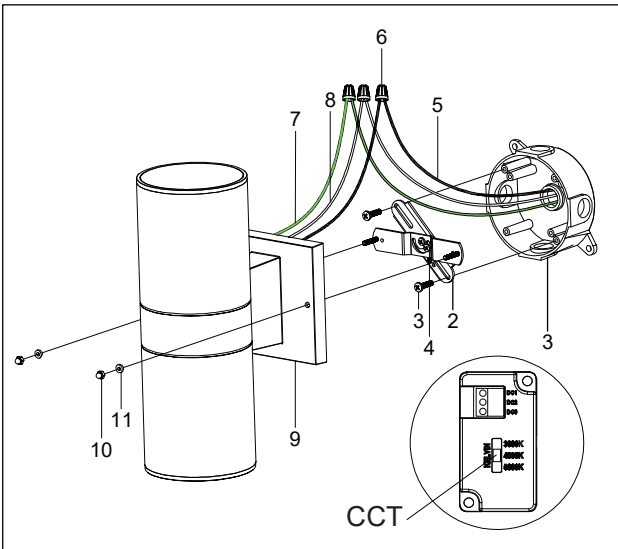


WARNING

PLEASE READ ALL INSTRUCTIONS BEFORE ATTEMPTING INSTALLATION

- To prevent personal injury or product damage only licensed electricians should install.
- To avoid electric shock or component damage disconnect power before attempting installation or servicing.
- This product must be installed in accordance with the national electric code (NEC) and all applicable federal, state and local electric codes and safety standards.
- Disconnect product and allow cooling prior to servicing.
- Any alteration or modification of this product is expressly forbidden as it may cause serious personal injury, death, property damage and/or product malfunction.
- To prevent product malfunction and/or electrical shock this product must be properly grounded.
- Wet Location Rated



- | | |
|----------------------|---------------------|
| 1. Outlet box | 7. Ground wire |
| 2. Cross bar | 8. White wire |
| 3. Outlet box screws | 9. Wall plate |
| 4. Mounting screws | 10. Decorative nuts |
| 5. black wire | 11. Flat washer |
| 6. Wire nuts | |

Installation

1. Turn off the power at the circuit breaker or fuse box. Before beginning installation.
2. Adjust the color to desired one, by sliding the selector switch. Ensure the switch is not between positions.
3. Install mounting cross bar (2) to the outlet box (1) using outlet box screws. (3)
4. Adjust the cross bar (2) in right angle, tighten the screws in the middle. Before tightening the screw in the middle. Fit the fixture and adjust cross bar to ensure a correct fit.
5. Strip the 1/2 inch insulation from the wire ends. Twist striped ends together with pliers. Black (5) to Black (Power) and White (8) to White (Neutral). Attach Copper wire to ground wire (7). If necessary, attach copper ground wire to the outlet box ground.
6. Attach wire (6). Tape wire nuts and wires together with electrical tape.
7. Attach the fixture to the wall by aligning the mounting screws that protrudes from the mounting cross bar (2) to the hole in the wall plate (9). Screw the decorative nuts (10) onto the protruding mounting screw (4) until the fixture is held firmly to the wall.

It is recommended to apply clear weather silicon sealer (not included), around the wall plate only on three side and not the bottom.
8. Turn on the power at the circuit breaker or fuse box. Turn the lights switch ON to activate the fixture.

