



# 2'X4' FLANGE KIT

## Installation Instructions

### IMPORTANT

**READ CAREFULLY BEFORE INSTALLING FIXTURE. RETAIN THESE INSTRUCTION FOR FUTURE REFERENCE.**

The fixture must be wired in accordance with the National Electrical Code (NEC) and all applicable local codes. Proper grounding is required for safety. THIS PRODUCT MUST BE INSTALLED IN ACCORDANCE WITH THE APPLICABLE INSTALLATION CODE BY A QUALIFIED PERSON FAMILIAR WITH THE CONSTRUCTION AND OPERATION OF THE PRODUCT AND HAZARDS INVOLVED.

**Make certain the power is off before installing or maintaing fixture.**

### SAFETY INSTRUCTIONS

**WARNING: Risk of fire or electrical shock, Suitable for Damp Locations.**

**WARNING: Install Flange Kit & Panel per local codes. Suitable for installation in Sheet Rock/Plasterboard in both Insulated Ceilings and Non-Insulated Ceilings. Not for continuous row mounting.**

**WARNING: Do not energized fixture when hand are wet, when standing on wet or damp surfaces, or in water.**

**WARNING: Vapor barrier must be suitable for 90°C.**

**WARNING: Flange Kit to be independently supported to building structure.**

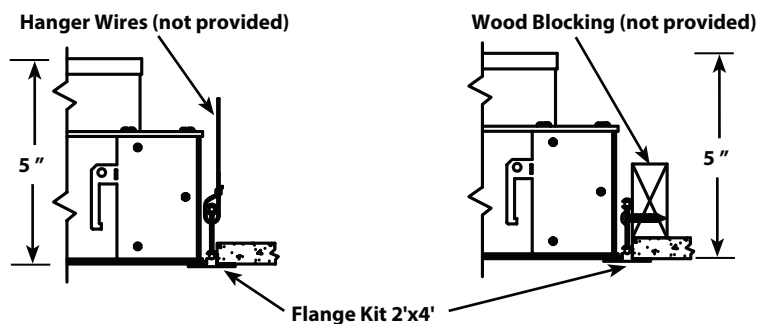
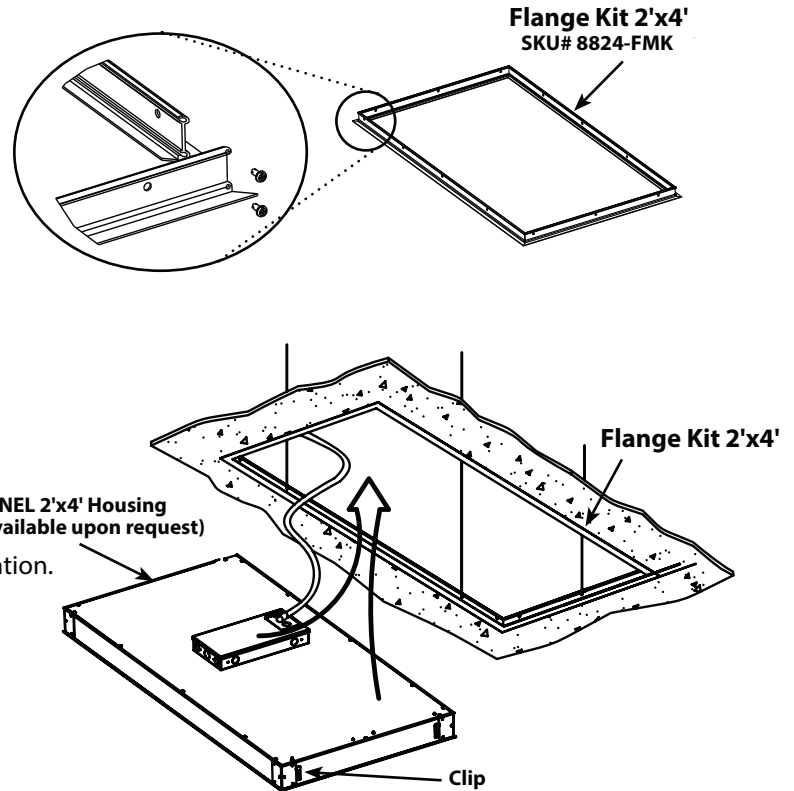
### DRYWALL MOUNTING

The fixture is suitable only for INDOOR RECESSED CEILING application.

**Nominal Sheet Rock cut-out opening is 24 5/8" x 48 5/8"**

To mount in an insulated or non-insulated - sheet rock ceiling follow the steps below.

1. Assemble the four piece of the **Flange Kit 2'x4'** with the screw provided.
2. Support the **Flange Kit 2'x4'** to the building structure by **Hanger Wires (not provided)**, alternatively screw to **Wood Blocking (not provided)** or black iron (not provided).
3. Bend the pre-installed Clips (4) flat to the **Panel 2'x4' Housing**.
4. Follow wiring directions on fixture installation instruction sheet to complete electrical splices.
5. Rotate and slide the **Panel 2'x4' Housing** as required to fit through the drywall opening as indicated by the directional arrow in figure and place it on the **Flange Kit**.



**Note: These instructions do not cover all detail or variations in equipment, nor do they provide every possible situation during installation, operation, or maintenance.**

Inspiration. Innovation. Illumination.

9601 Variel Avenue | Chatsworth, CA 91311 | Office: (818) 206-4404 | Fax: (866) 577-5302 | Email: info@trulygreen solutions.com | www.trulygreensolutions.com



# 2'X2' FLANGE KIT

## Installation Instructions

### IMPORTANT

**READ CAREFULLY BEFORE INSTALLING FIXTURE. RETAIN THESE INSTRUCTION FOR FUTURE REFERENCE.**

The fixture must be wired in accordance with the National Electrical Code (NEC) and all applicable local codes. Proper grounding is required for safety. THIS PRODUCT MUST BE INSTALLED IN ACCORDANCE WITH THE APPLICABLE INSTALLATION CODE BY A QUALIFIED PERSON FAMILIAR WITH THE CONSTRUCTION AND OPERATION OF THE PRODUCT AND HAZARDS INVOLVED.

**Make certain the power is off before installing or maintaing fixture.**

### SAFETY INSTRUCTIONS

**WARNING: Risk of fire or electrical shock, Suitable for Damp Locations.**

**WARNING: Install Flange Kit & Panel per local codes. Suitable for installation in Sheet Rock/Plasterboard in both Insulated Ceilings and Non-Insulated Ceilings. Not for continuous row mounting.**

**WARNING: Do not energized fixture when hand are wet, when standing on wet or damp surfaces, or in water.**

**WARNING: Vapor barrier must be suitable for 90°C.**

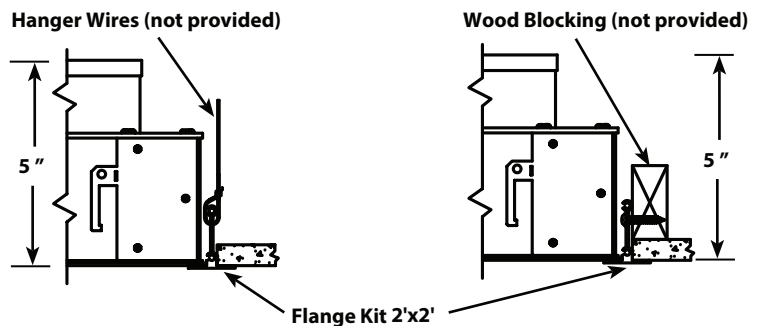
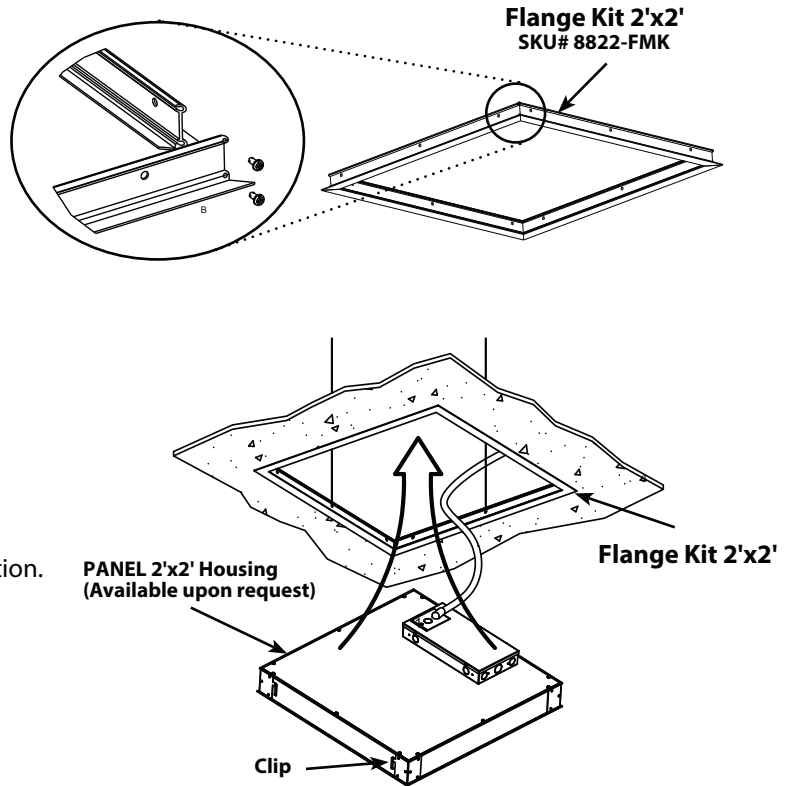
**WARNING: Flange Kit to be independently supported to building structure.**

### DRYWALL MOUNTING

The fixture is suitable only for INDOOR RECESSED CEILING application. **Nominal Sheet Rock cut-out opening is 24 5/8" x 24 5/8"**

To mount in an insulated or non-insulated - sheet rock ceiling follow the steps below.

1. Assemble the four piece of the **Flange Kit 2'x2'** with the screw provided.
2. Support the **Flange Kit 2'x2'** to the building structure by **Hanger Wires (not provided)**, alternatively screw to **Wood Blocking (not provided)** or black iron (not provided).
3. Bend the pre-installed Clips (4) flat to the **Panel 2'x2' Housing**.
4. Follow wiring directions on fixture installation instruction sheet to complete electrical splices.
5. Rotate and slide the **Panel 2'x2' Housing** as required to fit through the drywall opening as indicated by the directional arrow in figure and place it on the **Flange Kit**.



**Note: These instructions do not cover all detail or variations in equipment, nor do they provide every possible situation during installation, operation, or maintenance.**



# 1'X4' FLANGE KIT

## Installation Instructions

### IMPORTANT

**READ CAREFULLY BEFORE INSTALLING FIXTURE. RETAIN THESE INSTRUCTION FOR FUTURE REFERENCE.**

The fixture must be wired in accordance with the National Electrical Code (NEC) and all applicable local codes. Proper grounding is required for safety. THIS PRODUCT MUST BE INSTALLED IN ACCORDANCE WITH THE APPLICABLE INSTALLATION CODE BY A QUALIFIED PERSON FAMILIAR WITH THE CONSTRUCTION AND OPERATION OF THE PRODUCT AND HAZARDS INVOLVED.

**Make certain the power is off before installing or maintaing fixture.**

### SAFETY INSTRUCTIONS

**WARNING: Risk of fire or electrical shock, Suitable for Damp Locations.**

**WARNING: Install Flange Kit & Panel per local codes. Suitable for installation in Sheet Rock/Plasterboard in both Insulated Ceilings and Non-Insulated Ceilings. Not for continuous row mounting.**

**WARNING: Do not energized fixture when hand are wet, when standing on wet or damp surfaces, or in water.**

**WARNING: Vapor barrier must be suitable for 90°C.**

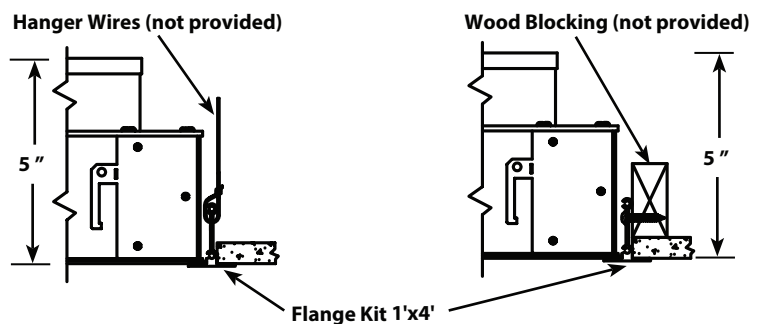
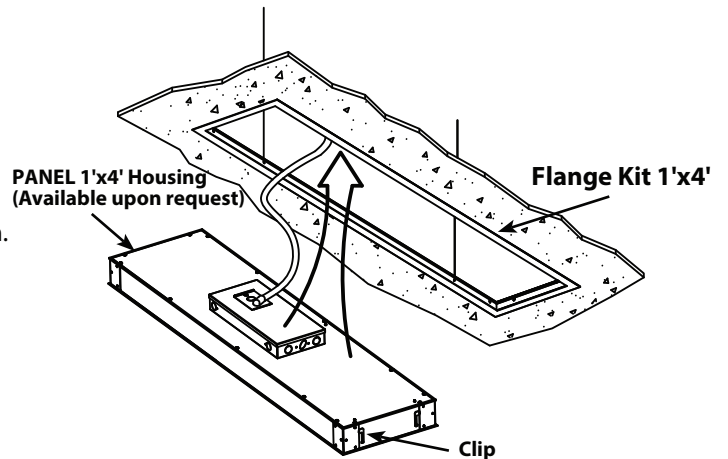
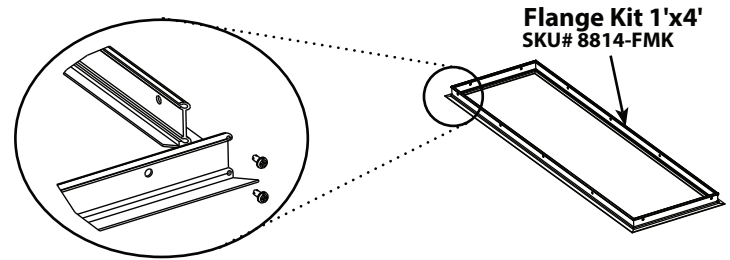
**WARNING: Flange Kit to be independently supported to building structure.**

### DRYWALL MOUNTING

The fixture is suitable only for INDOOR RECESSED CEILING application. **Nominal Sheet Rock cut-out opening is 12 5/8" x 48 5/8"**

To mount in an insulated or non-insulated - sheet rock ceiling follow the steps below.

1. Assemble the four piece of the **Flange Kit 1'x4'** with the screw provided.
2. Support the **Flange Kit 1'x4'** to the building structure by **Hanger Wires (not provided)**, alternatively screw to **Wood Blocking (not provided)** or black iron (not provided).
3. Bend the pre-installed Clips (4) flat to the **Panel 1'x4' Housing**.
4. Follow wiring directions on fixture installation instruction sheet to complete electrical splices.
5. Rotate and slide the **Panel 1'x4' Housing** as required to fit through the drywall opening as indicated by the directional arrow in figure and place it on the **Flange Kit**.



**Note: These instructions do not cover all detail or variations in equipment, nor do they provide every possible situation during installation, operation, or maintenance.**