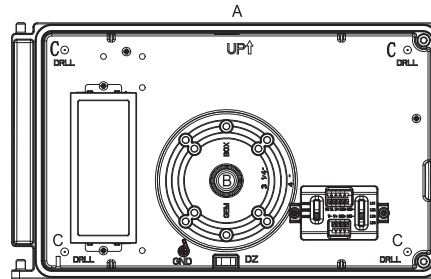


**WARNING****PLEASE READ ALL INSTRUCTIONS BEFORE ATTEMPTING INSTALLATION**

- To prevent personal injury or product damage only licensed electricians should install.
- To avoid electric shock or component damage disconnect power before attempting installation or servicing.
- This product must be installed in accordance with the national electric code (NEC) and all applicable federal, state and local electric codes and safety standards.
- Disconnect product and allow cooling prior to servicing.
- Any alteration or modification of this product is expressly forbidden as it may cause serious personal injury, death, property damage and/or product malfunction.
- To prevent product malfunction and/or electrical shock this product must be properly grounded.
- This luminaire is designed to operate in ambient temperatures ranging from -30°C to 40°C and to be horizontally mounted with the LEDs facing down.
- This product is not available for several special environments, such as places with corrosive gas liquids or high pressure water vapor.
- Wall mount only.

1. Junction Box Mounting

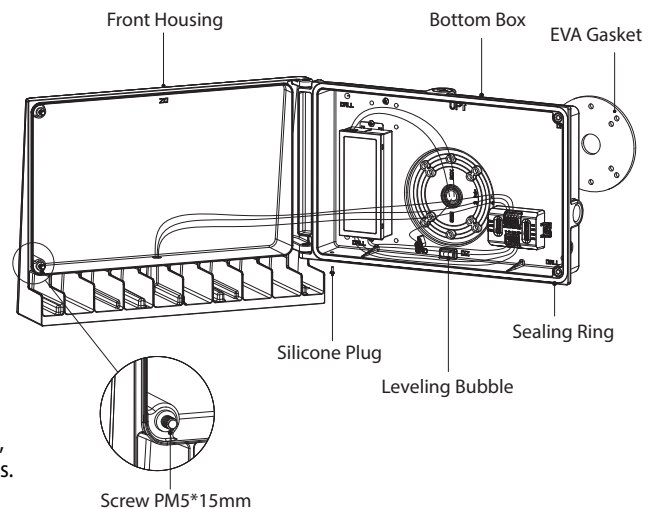
1. Loosen Two PM5x15mm screws and remove the front case set carefully from the back plate. Remove the black silicon plug at the bottom of fixture. (Angle between front case and back plate varies from 0 degree to 45 degree. Push up to take down the front case.)
2. Knuckle out the 1/2" hole in the center (B) or wiring, the fixture supports standard 3 1x4" and 4" junction box.
3. Attach the back plate on the wall, use the supplied gaskets for weather tight seal.
4. Finish wiring (Black for Line, White for Neutral, and Yellow Green for Ground).
5. Make sure the the PCB's circuit is wired correctly, Red wire for V-Plus, Black for VH, and Blue for VL. And replace the front case to back plate and secure with the screws.



- A - 1/2" NPS Tapped Holes (surface conduit or photo control)
- B - 1/2" NPS Tapped Holes
- C - 5/16" dia. Screw hole

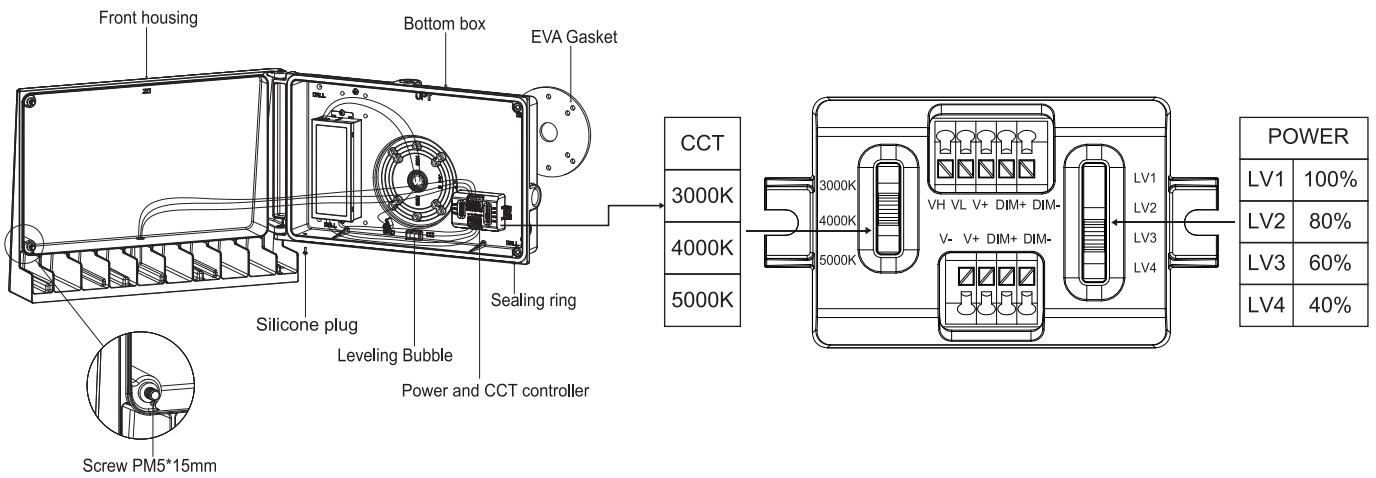
2. Conduit Mounting

1. Loosen Two PM5x15mm screws and remove the front case set carefully from the back plate. Remove the black silicon plug at the bottom of fixture. (Angle between front case and back plate varies from 0 degree to 45 degree. Push up to take down the front case.)
2. Knuckle out the 1/2" hole in the center (B) or wiring, the fixture supports standard 3 1x4" and 4" junction box.
3. Drilling out the holes (C) to secure it on the wall with choosing proper screws.
4. Finish wiring (Black for Line, White for Neutral, and Yellow Green for Ground).
5. Make sure the the PCB's circuit is wired correctly, Red wired for V-Plus, Black for VH, and Blue for VL. And replace the front case to back plate and secure with the screws.



Note: To ensure waterproof seal, apply weatherproof silicone sealant between the mounting surface and mounting box, as well as around the sides of housing. This is especially important with an uneven wall surface. Silocne all plugs and unused conduit entries.

Wattage and CCT Selection Switch

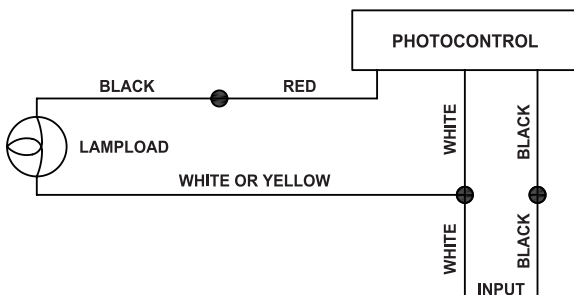


1. Loosen Two PM5x15mm screws on the side of the fixture, open the front cover of the housing, and adjust the DIP switch to the corresponding color temperature and power in the actual application requirements.
2. Make sure that all wires are securely connected and that there are not exposed conductors, cover the fixture, (Make sure wires do not get pinched) then tighten the screws.

Photocell Installation

Universal voltage driver permits operation at 60Hz except fixture factory ordered with a 120-277VAC Photocell.

1. Install photocell and wire as per diagram.
2. Use photocell rated for your supply voltage.



Troubleshooting

1. Check the line voltage at the fixture is correct. Refer to wiring directions.
2. Is the fixture grounded properly.
3. Be sure the photocell, if used, is functioning properly.

Wiring Diagram

For 1-10V dimming, See wiring diagram below.

