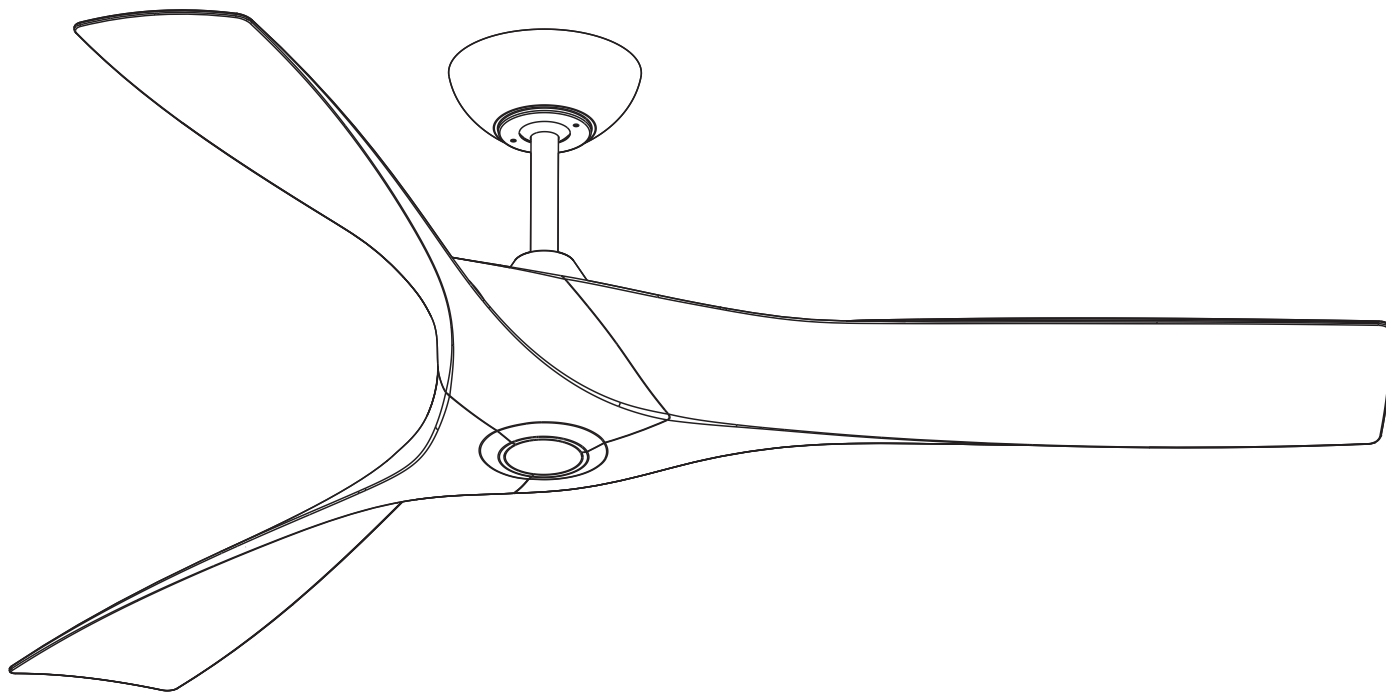


# SALEM™

## INSTALLATION INSTRUCTIONS

---

52-INCH INDOOR LED CEILING FAN



# Table of Contents

Table of Contents .....	2	Assembly .....	7
Safety Information .....	2	Operation .....	12
Warranty .....	3	Care and Cleaning .....	13
Pre-installation .....	3	Troubleshooting .....	14
Installation .....	6	FCC Statement .....	15

# Safety Information

## READ AND SAVE THESE INSTRUCTIONS.

1. To reduce the risk of electric shock, ensure electricity has been turned off at the circuit breaker or fuse box before you begin.
2. All wiring must be in accordance with the National Electrical Code “ANSI/NFPA 70” and local electrical codes. Electrical installation should be performed by a qualified licensed electrician.
3. The outlet box and support structure must be securely mounted and capable of reliably supporting a minimum of 35 lbs (15.9 kg). Use only UL Listed outlet boxes marked “Acceptable for Fan Support of 35 lb (15.9 kg) or less.”
4. Do not place objects in the path of the blades.
5. Do not use water or detergents when cleaning the fan or fan blades. A dry dust cloth or lightly dampened cloth will be suitable for most cleaning.
6. After making electrical connections, spliced conductors should be turned upward and pushed carefully up into the outlet box. The wires should be spread apart with the grounded conductor and the equipment-grounding conductor on one side of the outlet box and ungrounded conductor on the other side of the outlet box.
7. All set screws must be checked and retightened where necessary before installation.



**WARNING:** To reduce the risk of electrical shock or fire, do not use this fan with any solid-state fan speed control device. It will permanently damage the electronic circuitry.



**WARNING:** To reduce the risk of personal injury, do not bend the blade brackets when installing the brackets, balancing the blades, or cleaning the fan. Do not insert foreign objects in between rotating fan blades.



**WARNING:** To reduce the risk of fire, electric shock or personal injury, mount to outlet box marked “acceptable for fan support of 35 lb (15.9 kg) or less” and use screws provided with the outlet box.



**WARNING:** To avoid possible electrical shock, turn the electricity off at the main fuse box before wiring.



**CAUTION:** To reduce the risk of personal injury, use only the screws provided with the outlet box.



**CAUTION:** To avoid personal injury or damage to the fan and other items, use caution when working around or cleaning the fan.



**CAUTION:** The fan must be mounted with a minimum of 7 ft (2.1 m) clearance from the trailing edge of the blades to the floor.



**CAUTION:** Changes or modifications not expressly approved by the party responsible for compliance could void the user’s authority to operate the equipment.



**WARNING:** To reduce the risk of electrical shock, this fan must be installed with an isolating wall control/switch.

# Warranty

We warrant the fan motor to be free from defects in workmanship and material present at time of shipment from the factory for a period of lifetime after the date of purchase by the original purchaser. We also warrant that all other fan parts, excluding any glass or acrylic blades, to be free from defects in workmanship and material at the time of shipment from the factory for a period of two years after the date of purchase by the original purchaser. We agree to correct such defects without charge or at our option replace with a comparable or superior model if the product is returned. To obtain warranty service, you must present a copy of the receipt as proof of purchase. All costs of removing and reinstalling the product are your responsibility. Damage to any part such as by accident, misuse, improper installation or by affixing any accessories, is not covered by this warranty. Because of varying climatic conditions this warranty does not cover any changes in brass finish, including rusting, pitting, corroding, tarnishing or peeling. Brass finishes of this type give their longest useful life when protected from varying weather conditions. A certain amount of “wobble” is normal and should not be considered a defect. Servicing performed by unauthorized persons shall render the warranty invalid. There is no other express warranty. We hereby disclaim any and all warranties, including but not limited to those of merchantability and fitness for a particular purpose to the extent permitted by law. The duration of any implied warranty which cannot be disclaimed is limited to the time period as specified in the express warranty. Some states do not allow limitation on how long an implied warranty lasts, so the above limitation may not apply to you. The retailer shall not be liable for incidental, consequential, or special damages arising out of or in connection with product use or performance except as may otherwise be accorded by law. Some states do not allow the exclusion of incidental or consequential damages, so the above exclusion or limitation may not apply to you. This warranty gives specific legal rights, and you may also have other rights which vary from state to state. This warranty supersedes all prior warranties. Shipping costs for any return of product as part of a claim on the warranty must be paid by the customer.

# Pre-Installation

## SPECIFICATIONS

Fan size	Speed	Volts	Amps	Watts	RPM	CFM	Net Wt	Gross Wt	Cubic Ft
52 in.	LOW	120	0.066	2.74	76	2544	4.83 kg (10.65 lb)	8.24 kg (18.17 lb)	2.68 cu ft
	MED		0.167	9.26	122	4165			
	HIGH		0.405	25.89	176	5925			



**NOTE:** These are approximate measures. They do not include amps and wattage used by the light kit.

## TOOLS REQUIRED



Phillips  
screwdriver



Step  
ladder



Wire  
stripper



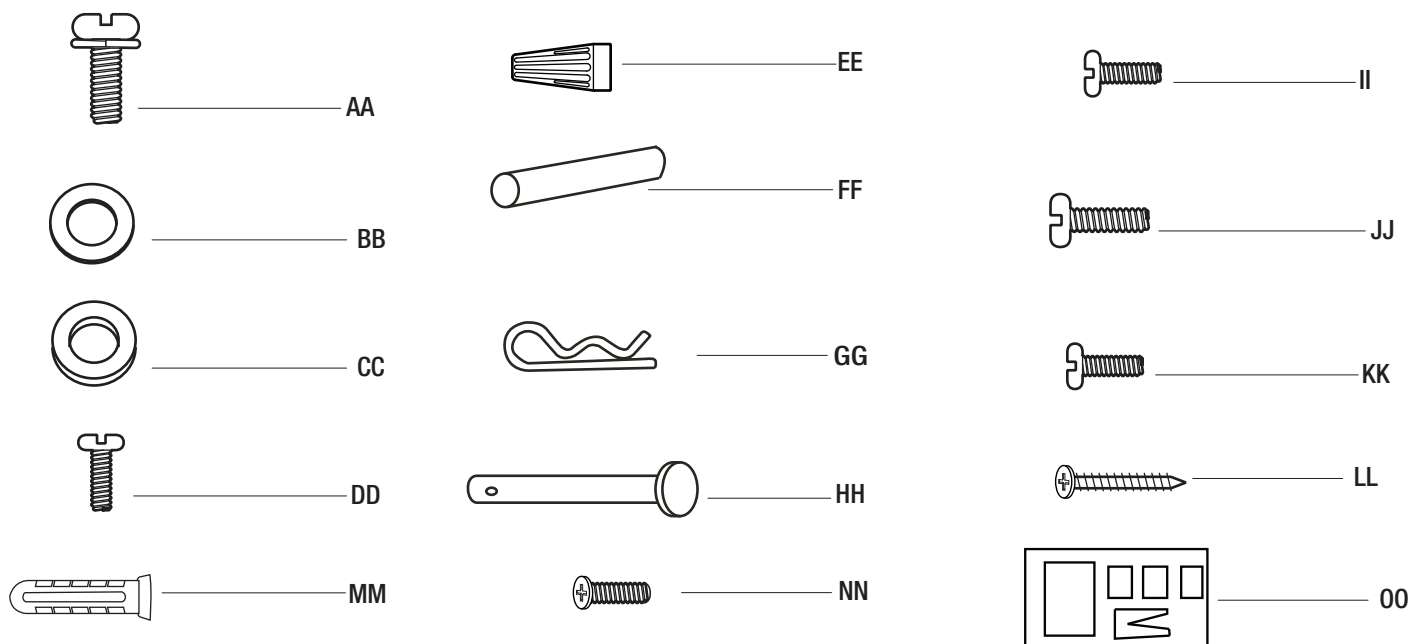
Electrical  
Tape

# Pre-Installation (continued)

## HARDWARE INCLUDED



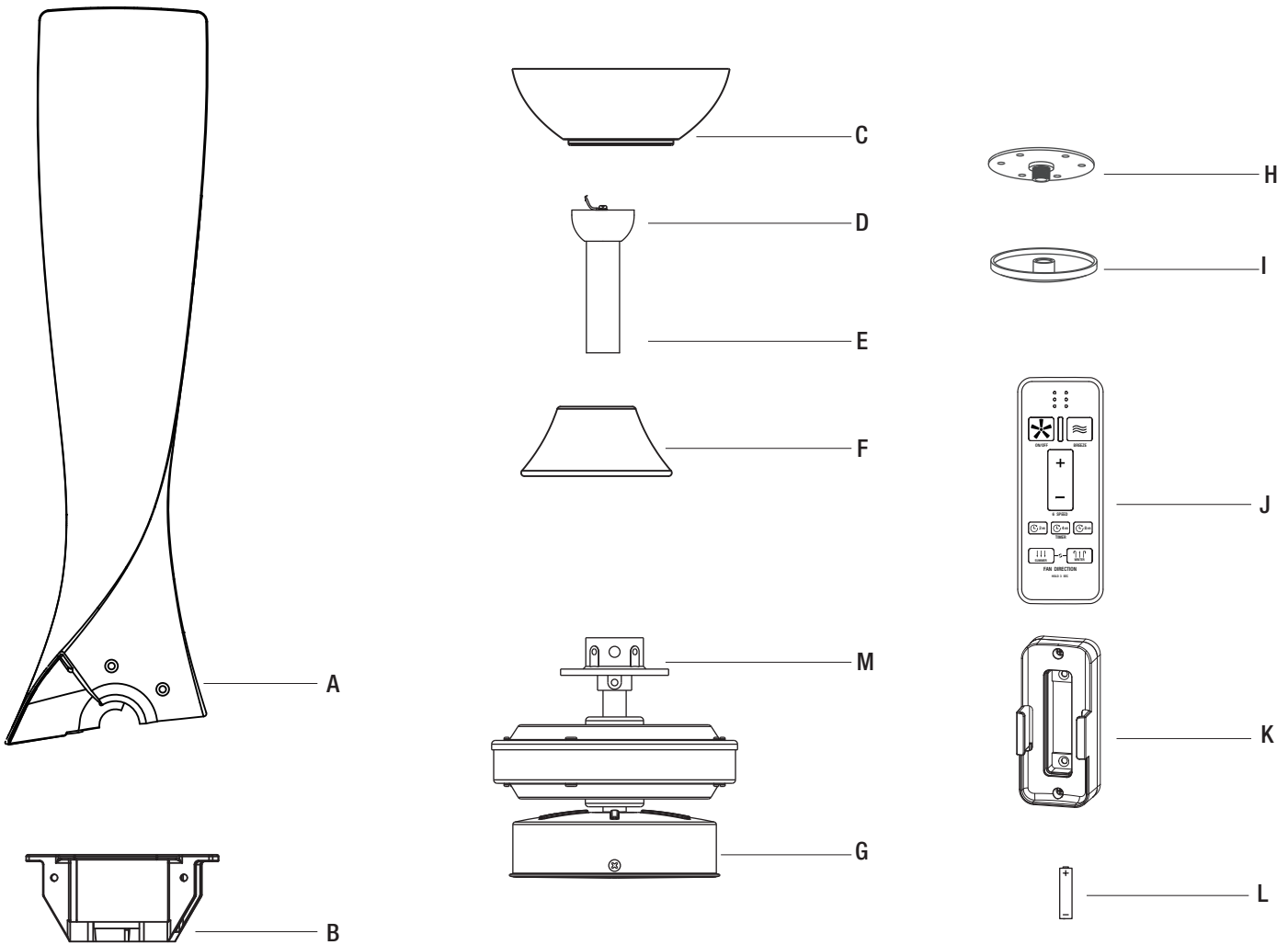
NOTE: Hardware not shown to actual size.



Part	Description	Quantity
AA	Blade screw with spring washer (6 preassembled)	7
BB	Metal washer (6 preassembled)	7
CC	Rubber washer (6 preassembled)	7
DD	Flywheel screw (6 preassembled)	7
EE	Wire nuts	3
FF	Cross pin (not to scale) (preassembled)	1
GG	Hitch pin (preassembled)	1
HH	Lock pin (not to scale) (preassembled)	1
II	Hanger ball set screw (preassembled)	1
JJ	Fan motor assembly coupling set screw (preassembled)	2
KK	Mounting bracket screw (preassembled)	2
LL	Drywall/ Wood Screw	4
MM	Dry Wall Anchors (Orange)	2
NN	Machine Screw	2
OO	Blade Balancing Kit	1

# Pre-Installation (continued)

## PACKAGE CONTENTS



Part	Description	Quantity
A	Blade	3
B	Mounting bracket	1
C	Canopy	1
D	Hanger ball (preassembled)	1
E	Downrod (preassembled)	1
F	Coupling cover	1

Part	Description	Quantity
G	Fan motor assembly	1
H	Flywheel	1
I	Finial	1
J	Remote control	1
K	Wall mounting bracket	1
L	Battery AAA 1.5 V	2
M	Motor collar	1

# Installation

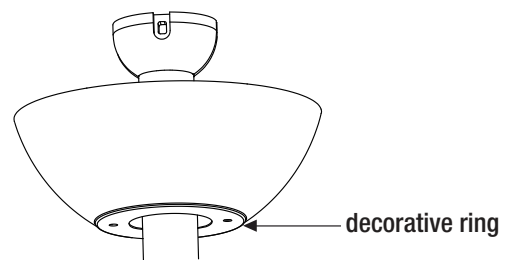
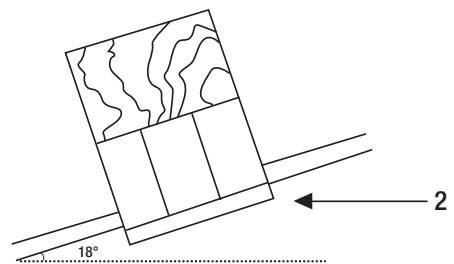
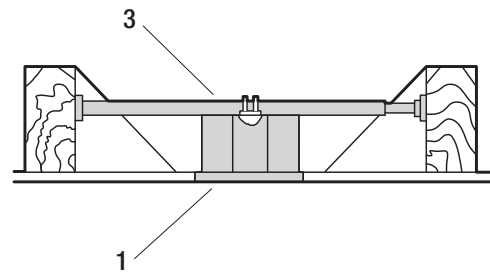
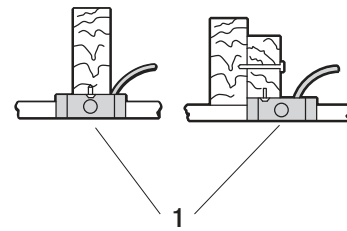
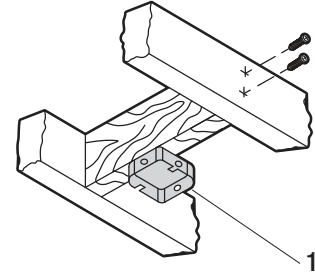
## MOUNTING OPTIONS



**WARNING:** To reduce the risk of fire, electric shock, or personal injury, mount the fan to an outlet box marked acceptable for fan support. An outlet box commonly used for the support of lighting fixtures may not be acceptable for fan support and may need to be replaced. If in doubt, consult a qualified electrician.

Make sure you are using an approved UL Listed outlet box and it is installed correctly.

- Disconnect the power by removing the fuses or turning off the circuit breakers.
- Secure the outlet box (1) (not included) directly to the building structure. Use appropriate fasteners and materials (not included). The outlet box and its bracing must be able to fully support the weight of the moving fan (at least 35 lb). Do not use a plastic outlet box.
- The illustrations to the right show three different ways to mount the outlet box (not included).
- To hang your fan where there is an existing fixture but no ceiling joist, you may need an installation hanger bar (3) (not included), as shown.

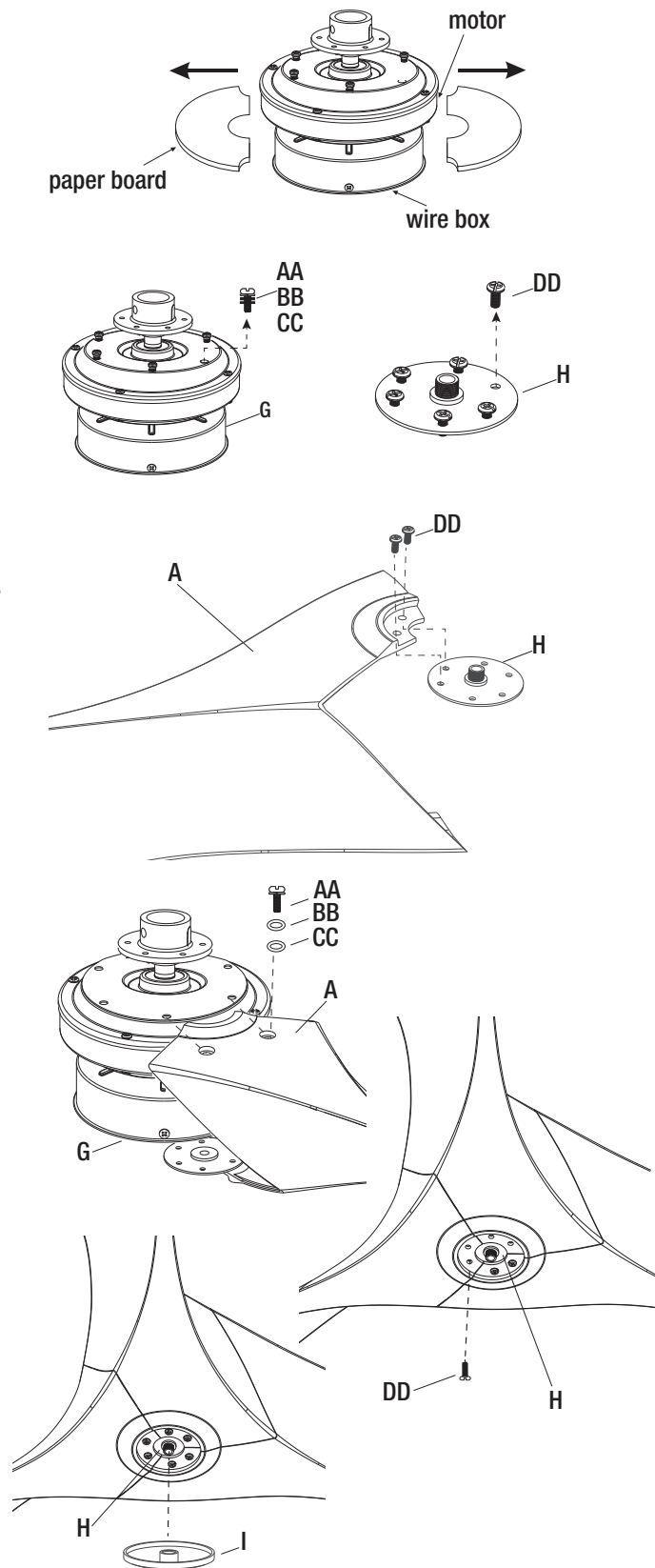


**NOTE:** You may need a longer downrod to maintain proper blade clearance when installing on a steep, sloped ceiling. The maximum angle allowable is 18°. If the canopy touches the downrod, take off and remove the decorative ring from the canopy bottom and turn the mounting bracket 180° before attaching the canopy to the mounting plate (2).

# Assembly – Attaching the Fan Blade

## 1 Fastening the blade assemblies to the fan motor assembly

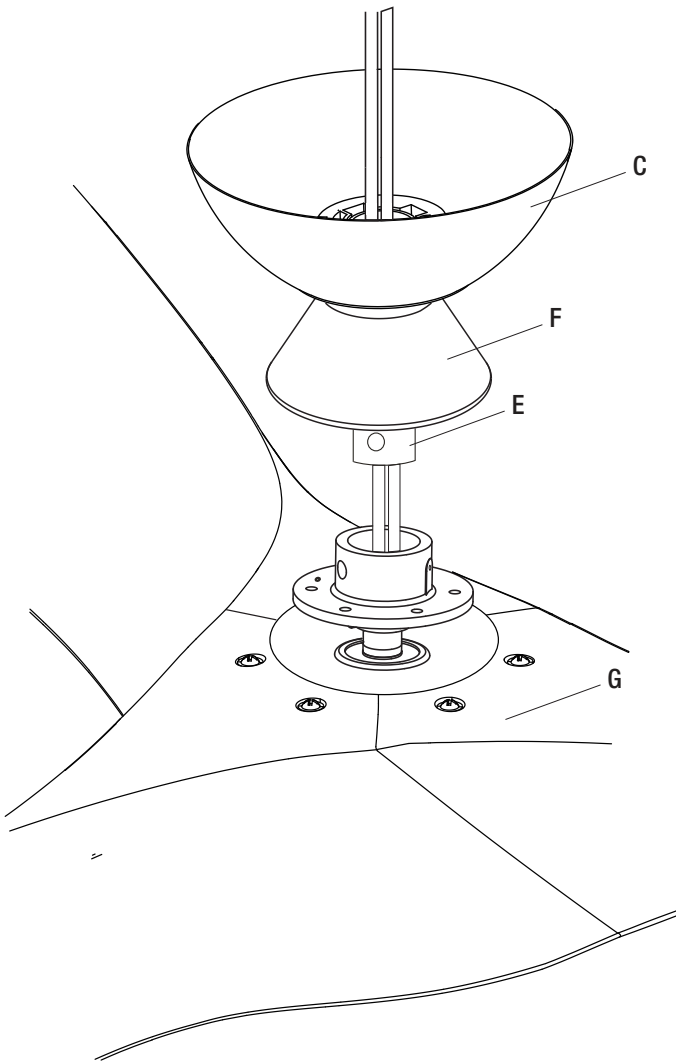
- Please remove the paper boards between the motor and the wire box before assembly. This paper board is used for protection only.
- Remove the six blade screws with spring washers (AA), metal washers (BB) and rubber washers (CC) from the fan motor assembly (G).
- Remove the six flywheel screws (DD) from the flywheel (H).
- Attach the flywheel (H) to one of the three blades (A) using two flywheel screws (DD).
- Attach the blade (A) with the flywheel (H) to the fan motor assembly (G) using two blade screws with spring washers (AA), two metal washers (BB) and two rubber washers (CC). Attach the other blades (A) to the fan motor assembly (G).
- Reinstall the four flywheel screws (DD) to the flywheel (H).
- Screw the finial (I) to the flywheel (H). Ensure the finial (I) is tight.



# Assembly – Hanging the Fan

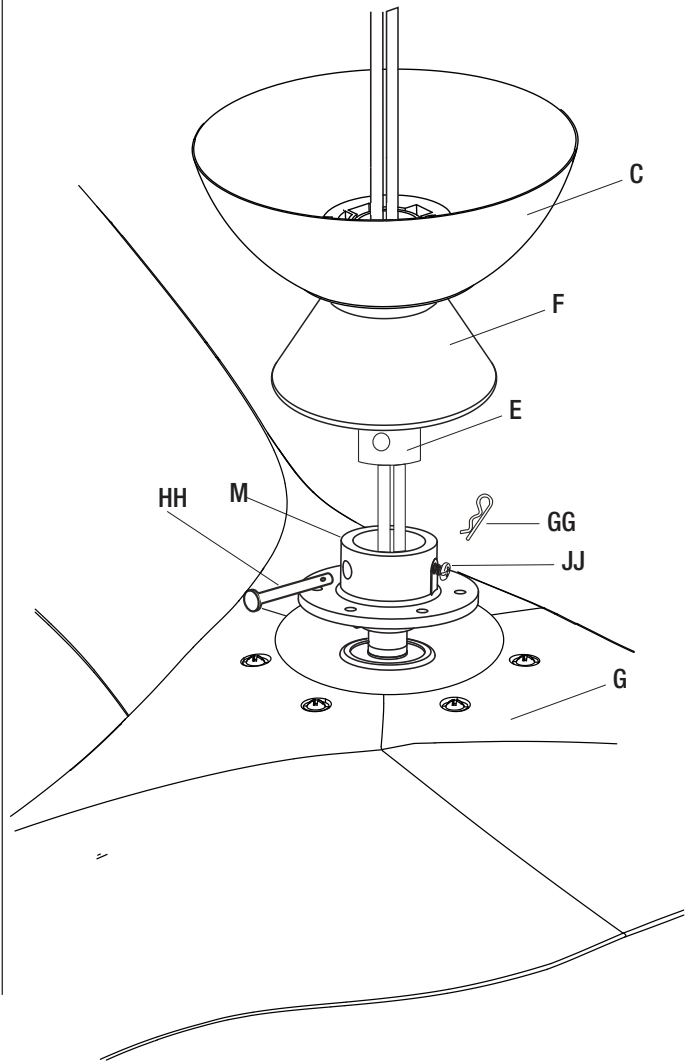
## 2 Attaching the coupling cover and canopy to the downrod

- Slip the coupling cover (F) and canopy (C) onto the downrod (E).
- Carefully feed the fan wires up through the downrod (E).



## 3 Attaching the downrod to the fan motor assembly

- Loosen the two fan motor assembly coupling set screws (JJ) from the fan motor assembly (G) coupling.
- Thread the downrod (E) into the fan motor assembly (G) coupling.
- Align downrod (E) and motor collar (M) holes, insert lock pin (HH) and secure it with the hitch pin (GG).
- Tighten the fan motor assembly coupling set screws (JJ).





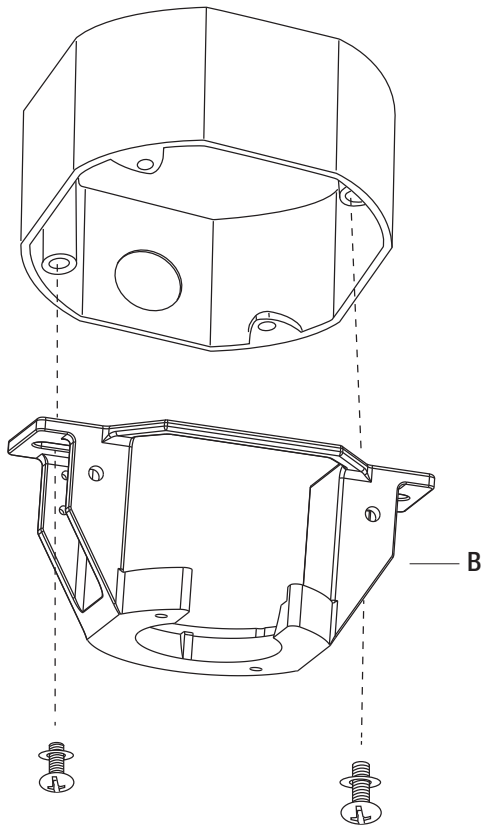
# Assembly – Hanging the Fan (continued)

## 4 Attaching the mounting bracket to the outlet box



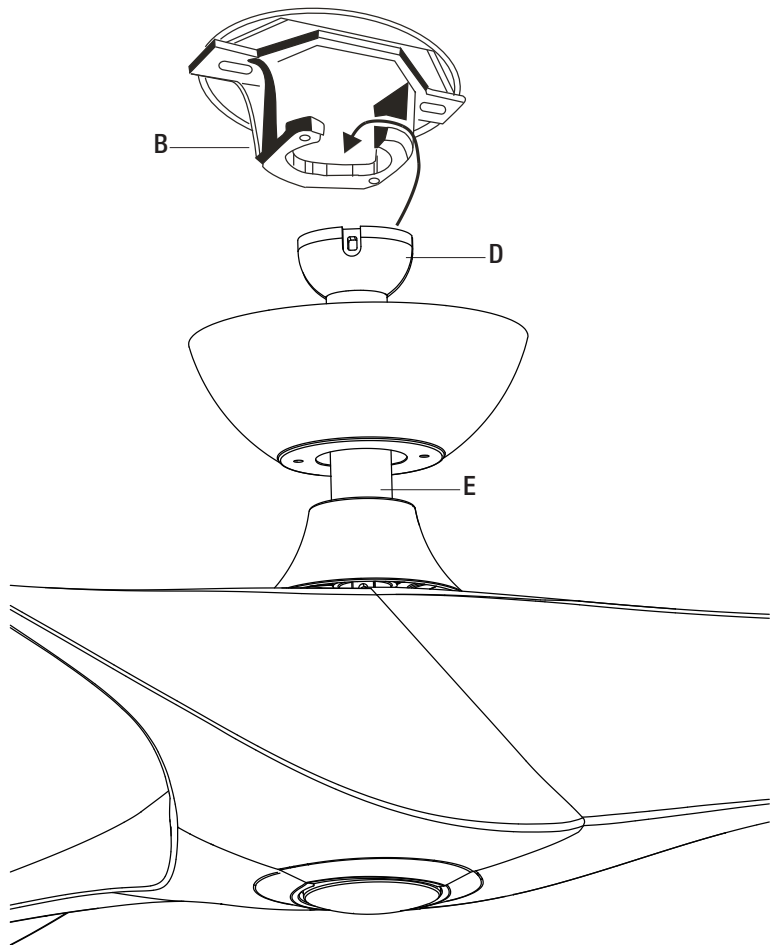
**WARNING:** To reduce the risk of fire, electric shock, or other personal injury, mount the fan only to an outlet box or supporting system marked acceptable for fan support and use the mounting screws provided with the outlet box.

- Secure the mounting bracket (B) to the ceiling outlet box with the screws and washers provided with your outlet box.



## 5 Hanging the fan assembly into the mounting bracket

- Lift the fan assembly into position, and place the hanger ball (D) into the mounting bracket (B).
- Rotate the fan assembly until the check groove drops into the registration slot and seats firmly. The downrod (E) should not rotate if this is done correctly.



# Assembly — Hanging the Fan (continued)

## 6 Making the electrical connections



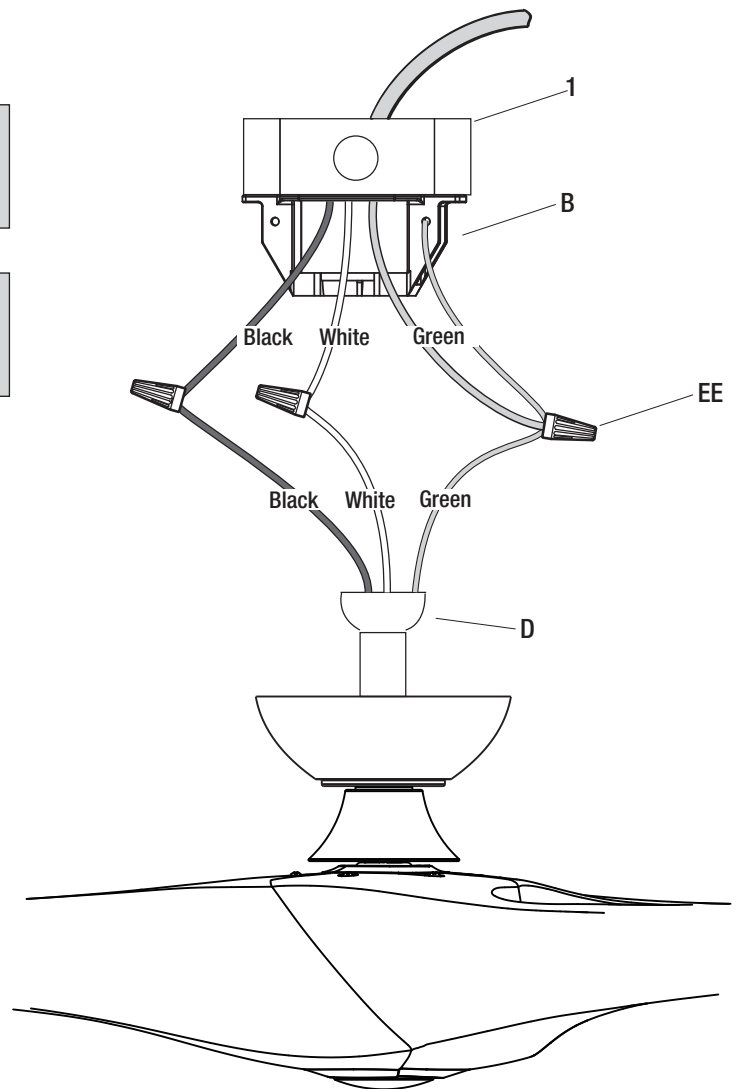
**WARNING:** To avoid possible electrical shock, ensure the electricity is turned off at the circuit breaker or main fuse box before wiring.



**WARNING:** Check to see that all connections are tight, including the ground, and that no bare wire is visible at the wire nuts, except for the ground wire.

Follow the steps below to connect the fan to your house supply wires. Secure the wire nuts (EE) supplied with your fan by wrapping the connections with electrical tape.

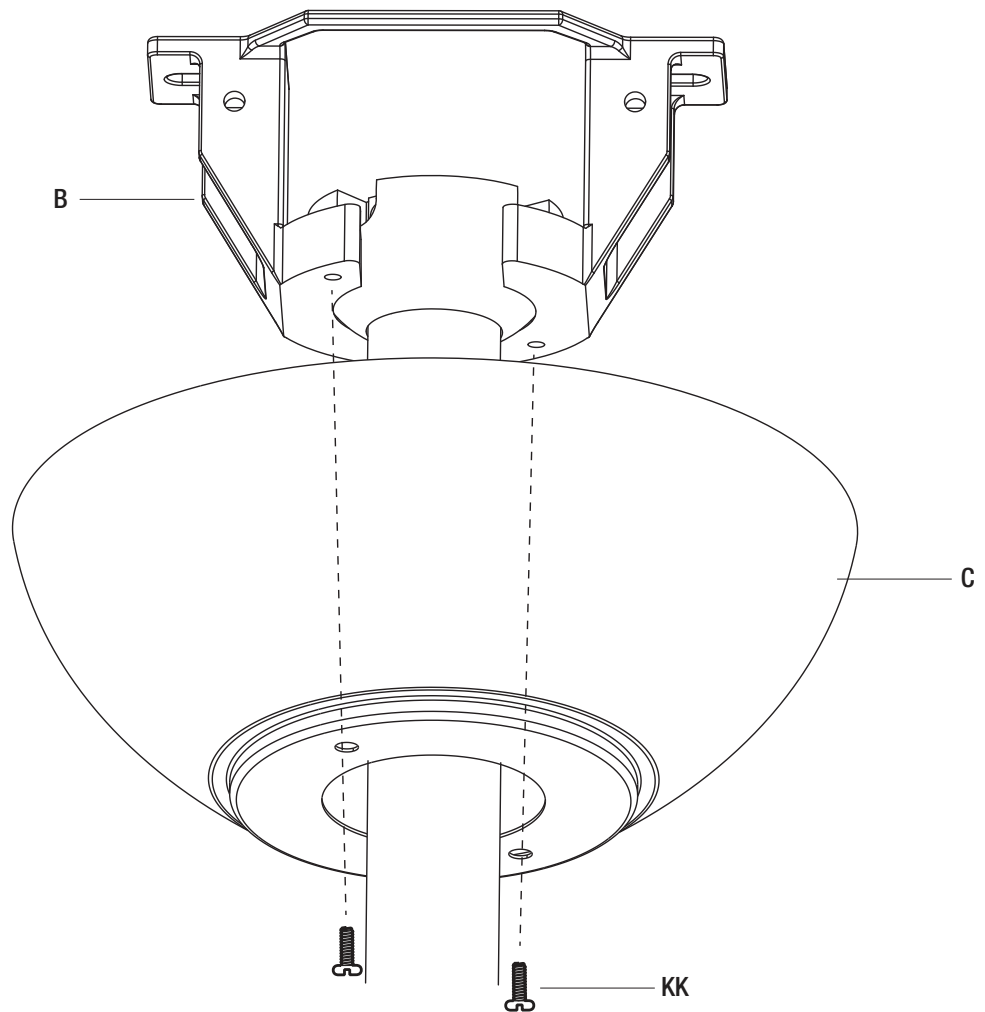
- Connect the black (hot) wire from the ceiling to the black wire from the fan.
- Connect the white (neutral) wire from the ceiling to the white wire from the fan.
- Connect the ground conductor of the 120-volt supply from the ceiling (this may be a bare wire or a wire with green colored insulation) to the green ground lead(s) of the fan. When using standard ceiling mounting, there are two green grounding leads: one from the mounting bracket (B) and one from the hanger ball (D).
- Secure the wire connections with plastic wire nuts (EE).
- After connecting the wires, spread them apart so that the green and white wires are on one side of the outlet box (1) and the black wire is on the other side. Carefully tuck the wire connections up into the outlet box (1).



## Assembly – Attaching the Canopy

### 7 Securing the fan motor assembly to the mounting bracket

- Remove two mounting bracket screws (KK) from the mounting bracket (B).
- Attach the canopy (C) to the mounting bracket (B) by using the two mounting bracket screws (KK) previously removed.
- Tighten the mounting bracket screws (KK).



# Operation

## REMOTE CONTROL OPERATING INSTRUCTIONS



**NOTE:** On start up, your ceiling fan will oscillate back and forth. This is **NORMAL OPERATION** for a DC ceiling fan as it goes through its calibration cycle. The fan is **NOT DEFECTIVE**.

- Install two 1.5V AAA batteries(L) into the remote control (J). To prevent damage to the remote control, remove the battery if not used for long periods of time.



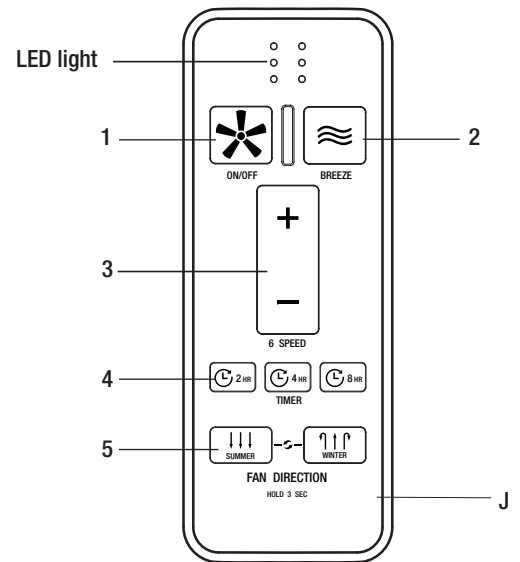
**WARNING:** Do not short-circuit, disassemble, heat up, connect improperly, or dispose of used batteries in fire. Do not recharge or mix batteries with used or other battery types. Immediately remove used batteries.



**WARNING:** a) The cells shall be disposed of properly, including keeping them away from children; and b) Even used cells may cause injury.



**WARNING:** Chemical Burn Hazard. Keep batteries away from children. Always completely secure the battery compartment. If the battery compartment does not close securely, stop using the product, remove the batteries, and keep it away from children. If you think batteries might have been swallowed or placed inside any part of the body, seek immediate medical attention.



- Press and release the ON/OFF (✱) button (1), the fan will turn ON and OFF accordingly.
- Press and release the BREEZE (≈) button (2) to activate the Comfort Breeze mode. Press and release the button to cycle through speeds 1-5. Holding the BREEZE button (2) for 3 seconds will cancel Comfort Breeze mode.
- Press button (3) + to increase speed and - to decrease speed. You can select fan speed 1-6.
- Press the TIMER (4) (2H/4H/8H) buttons to automatically turn the fan off after 2, 4 or 8 hours. Holding the TIMER (4) for 3 seconds will cancel Timer mode.



**NOTE:** You must turn the fan on prior to using the timer function.

- Press the FAN DIRECTION buttons (5) ↻ to change air flow direction. The buttons must be pressed when the fan is in operation.
- Pressing SUMMER mode (↓↓↓) for 3 seconds sets fan to down direction.
- Pressing WINTER mode (↑↑↑) for 3 seconds sets fan to up direction.

# Operation (continued)

## LEARNING PROCESS



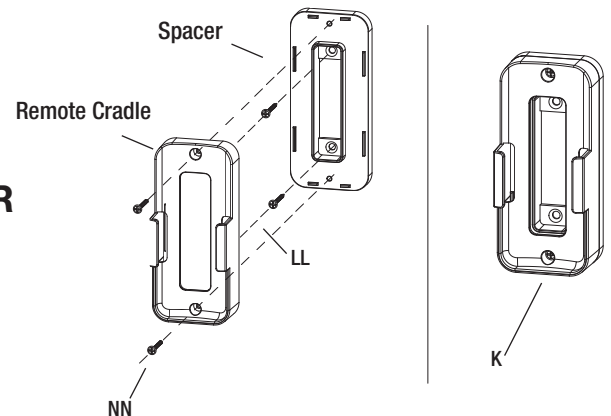
**NOTE:** After the AC power is on, do not press any other button on the remote control before pressing the ON/OFF(✱) button. Doing so will cause the procedure to fail.

Should you desire to use another remote control (J) unit with your new fan, install one using the steps below:

- Turn the main power source off to begin the learning process.
- Return the power to the unit.
- Within 30 seconds of turning the fan's AC power ON, press and hold the ON/OFF ✱ button (1) for 5 seconds to enter the learning function. Once the receiver has detected the set frequency, the fan will beep and will begin spinning using its last speed settings.

## INSTALLING THE REMOTE CONTROL HOLDER

- Install the spacer onto the wall by using the two provided wood screws (LL), and then attach the remote cradle onto the spacer by using two machine screws (NN). Ensure the two parts to fit together with no gaps (K) .



## Care and Cleaning



**WARNING:** Make sure the power is off before cleaning your fan.

### Do

- Check the support connections, brackets, and blade attachments twice a year. Ensure they are secure. Because of the fan's natural movement, some connections may become loose over time. It is not necessary to remove the fan from the ceiling.
- Clean your fan periodically. Use only a soft brush or lint-free cloth to avoid scratching the finish. The plating is sealed with a lacquer to minimize discoloration or tarnishing.
- (Optional) Apply a light coat of furniture polish to the blades.
- (Optional) Cover small scratches with a light application of shoe polish.

### Do not

- Do not use water when cleaning. Water could damage the motor, or possibly cause an electrical shock.
- Do not apply oil to your fan or motor. The motor has permanently lubricated, sealed ball bearings.

# Troubleshooting



**WARNING:** Ensure the power is off at the electrical panel box before you attempt any repairs. Refer to the section "Making the Electrical Connections" on page 10.

Problem	Solution
The fan will not start.	<input type="checkbox"/> Check main and branch circuit fuses or breakers.
	<input type="checkbox"/> Check line wire connections to the fan and switch wire connections in the switch housing.
	<input type="checkbox"/> Check to make sure the remote control and receiver are set to the same frequency after the learning process.
The fan sounds noisy.	<input type="checkbox"/> Make sure all motor housing screws are snug.
	<input type="checkbox"/> Make sure the screws that attach the fan blade arm to the motor flywheel are tight.
	<input type="checkbox"/> Make sure wire nut connections are not rattling against each other or the interior wall of the switch housing.
	<input type="checkbox"/> Allow a 24-hour "breaking-in" period. Most noises associated with a new fan disappear during this time.
	<input type="checkbox"/> Make sure there is a short distance from the ceiling to the canopy. It should not touch the ceiling.
The remote control is not working.	<input type="checkbox"/> Make sure your outlet box is secure and rubber isolator pads are used between the mounting bracket and outlet box.
	<input type="checkbox"/> Do not connect the fan with wall mounted variable speed control(s).
The fan wobbles.	<input type="checkbox"/> Check to make sure the remote control and receiver are set to the same frequency after the learning process.
	<input type="checkbox"/> Check that all blades and blades screws are secure.
	<input type="checkbox"/> Most fan wobble problems are caused when blade levels are unequal. Check this level by selecting a point on the ceiling above the tip of one of the blades. Measure from a point on the center of each blade to the point on the ceiling. Rotate the fan until the next blade is positioned for measurement. Repeat for each blade. Measurements deviation should be within 1/8 in. Run the fan for 10 minutes.
The fan moves backwards and forwards when turned on.	<input type="checkbox"/> Use the enclosed blade balancing kit (00) if the blade wobble is still noticeable.
	<input type="checkbox"/> This is normal start-up procedure for DC motor fans. The partial movement during start-up is the result of the DC motor aligning the internal magnetic poles for proper motor operation. This design saves electricity and allows the fan to operate more quietly than standard AC motor fans.

# FCC Statement

---

This equipment has been tested and found to comply with the limits for a Class B digital device, pursuant to Part 15 of the FCC Rules. These limits are designed to provide reasonable protection against harmful interference in a residential installation. This equipment generates uses and can radiate radio frequency energy and, if not installed and used in accordance with the instructions, may cause harmful interference to radio communications. However, there is no guarantee that interference will not occur in a particular installation. If this equipment does cause harmful interference to radio or television reception, which can be determined by turning the equipment off and on, the user is encouraged to try to correct the interference by one or more of the following measures:

- Reorient or relocate the receiving antenna.
- Increase the separation between the equipment and receiver.
- Connect the equipment into an outlet on a circuit different from that to which the receiver is connected.
- Consult the dealer or an experienced radio/TV technician for help.

**CAUTION:**

Any changes or modifications not expressly approved by the grantee of this device could void the user's authority to operate the equipment.

This device complies with Part 15 of the FCC Rules. Operation is subject to the following two conditions:

- (1) This device may not cause harmful interference, and
- (2) this device must accept any interference received, including interference that may cause undesired operation.