

**WARNING**

**PLEASE READ ALL INSTRUCTIONS BEFORE ATTEMPTING INSTALLATION**

- To prevent personal injury or product damage, only licensed electricians should install.
- To avoid electric shock or component damage, disconnect power before attempting installation or servicing.
- Proper grounding is required for safety.
- This product must be installed in accordance with the national electric code (NEC) and all applicable federal, state and local electric codes and safety standards.
- Disconnect product and allow cooling prior to servicing.
- Do not exceed the input rating of the luminaire.
- Any alteration or modification of this product is expressly forbidden as it may cause serious personal injury, death, property damage and/or product malfunction.
- No user serviceable parts inside.
- To prevent wiring damage or abrasion, do not expose wiring to edges of sheet metal or other sharp objects.
- Suitable for Wet Locations, IP65

## Installation

### Knuckle Mount

1. Seal knuckle mount thread using teflon tape or silicone sealant.
2. Secure the Impakt™ to a 1/2" NPS hole in a junction box or landscape post.
3. Plug all unused holes and seal threads with silicone.
4. The knuckle mount on the Impakt™ allows for 180° vertical aiming adjustment depending on mounting location

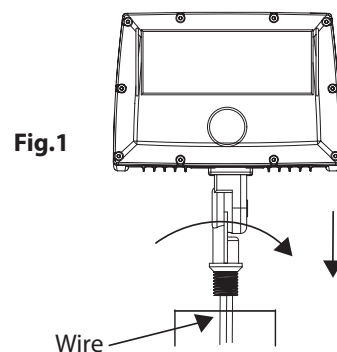


Fig.1

### Slipfitter

1. The slipfitter mounting fits a 2 3/8" O.D. Tenon. Place the slipfitter over the Tenon and secure the fixture with the Set Screws on the side of the slipfitter.
2. Remove the Round Cover Plate and adjust the angle of the fixture.
3. Loosen the Locking Bolt and swivel fixture to desired angle.
4. Tighten the Locking Bolt and re-attach Round Cover Plate.

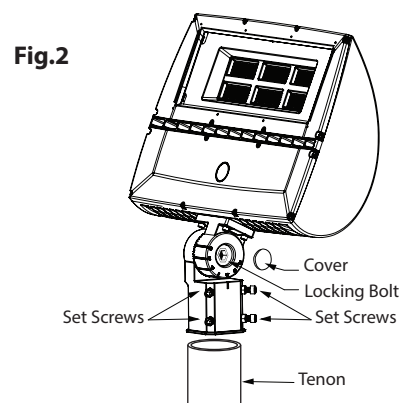


Fig.2

### Trunnion [U-Bracket]

CAUTION: UL and C-UL listed or CSA certified liquid tight cord grip suitable for use with three conductor type STW flexible cord shall be used for connection to a wet location outlet box which is not provided.

To adjust the angle of the fixture using the trunnion:

1. Loosen the Pivot Bolts & angle locking screw.
2. Adjust fixture to desired angle.
3. Tighten Pivot Bolts & angle locking screw.

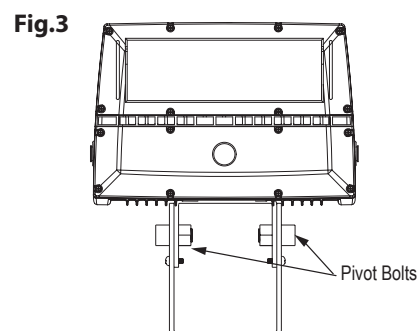


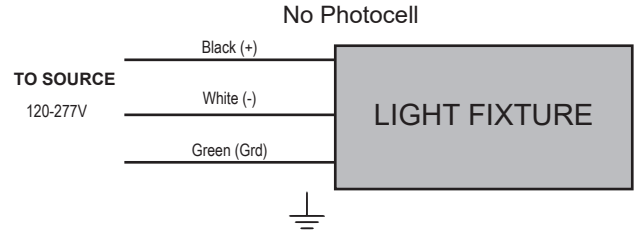
Fig.3

## Wiring Diagram

### Standard Wiring

Universal voltage driver permits operation a 120V to 277VAC, 50 or 60Hz.

1. Connect the black fixture lead to the (+) LINE supply lead.
2. Connect the white fixture lead to the (-) COMMON supply lead.
3. Connect the GROUND wire from the fixture to supply ground.



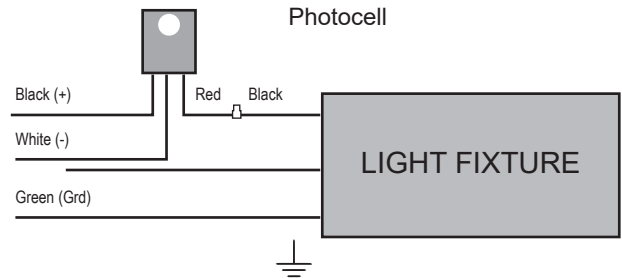
### Cleaning & Maintenance

**CAUTION:** Be sure fixture temperature is cool enough to touch. Do not clean or maintain while fixture is energized.

1. Clean lens with a gentle lens cloth.
2. Do not open fixture to clean the LED. Do not touch the LED.

### Troubleshooting

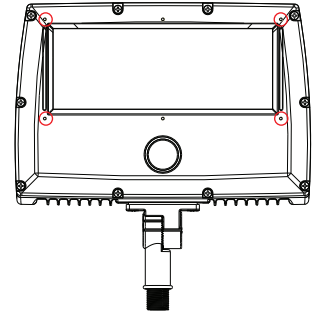
- Verify the proper line voltage is present and the fixture is wired correctly.
- Check that the fixture is grounded.



### Wire Guard Installation [Order Separately]

1. Drill 4 threaded holes for M3 screws , between 0.15" - 0.19" (see Fig.4 for hole locations).
2. Using M3 screws provided with the wired guard , align wired guard with the holes and secure into place.

**Fig.4**



### Top Visor Installation [Order Separately]

1. Remove the screws out from the front cover (see Fig.5 for screw locations).
2. Using longer screws provided with visor, align the holes on the front cover with visor to secure in place.

**Fig.5**

