

**WARNING**

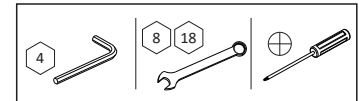
**PLEASE READ ALL INSTRUCTIONS BEFORE ATTEMPTING INSTALLATION**

- To prevent personal injury or product damage, only licensed electricians should attempt installation.
- To avoid electric shock or component damage disconnect power before attempting installation or servicing.
- This product must be installed in accordance with the current National Electrical Code (NEC) and all applicable federal, state and local electric codes and safety standards.
- Disconnect product and allow cooling prior to servicing.
- Any alteration or modification of this product is expressly forbidden as it may cause serious personal injury, death, property damage and/or product malfunction.
- To prevent product malfunction and/or electrical shock this product must be properly grounded.
- To prevent wiring damage or abrasion, do not expose wiring to edges of sheet metal or other sharp objects.
- Ensure that the supply voltage is the same as the rated fixture voltage.

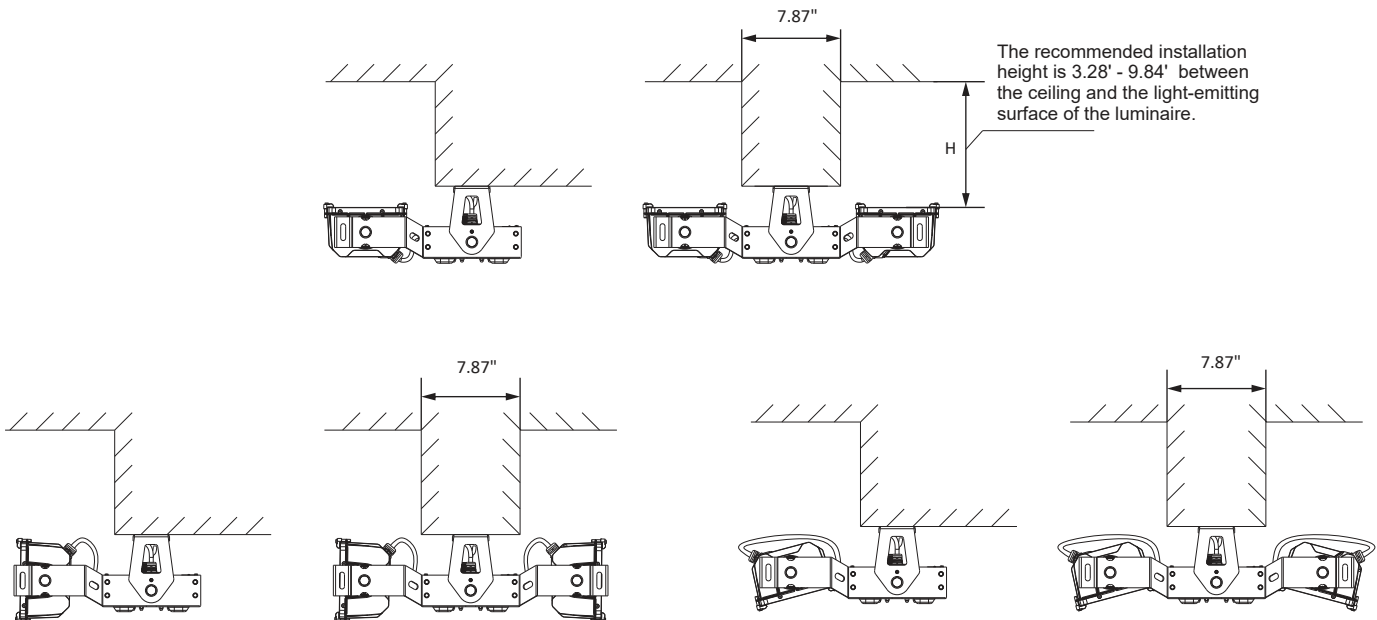
**MAINTENANCE:**

- Install the luminaire in the intended location.
- Ensure the luminaire is not covered with material that will prevent convection or conduction cooling.
- It is recommended to perform visual, electrical, and mechanical inspections on a regular basis and cleaning with a non-aggressive product.
- Any deterioration in the cables should be noted and reported to a qualified electrician, who will advise on the appropriate course of action.
- The Surge Protective Device (SPD) will need replacing when it comes to the end of its useful life. This should be checked for operation during the annual maintenance.

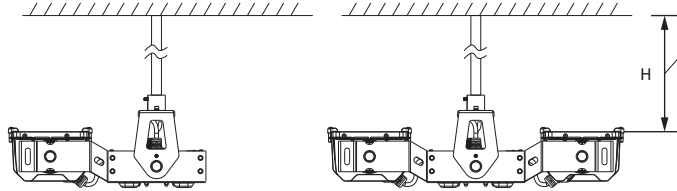
**Tools Not Provided**



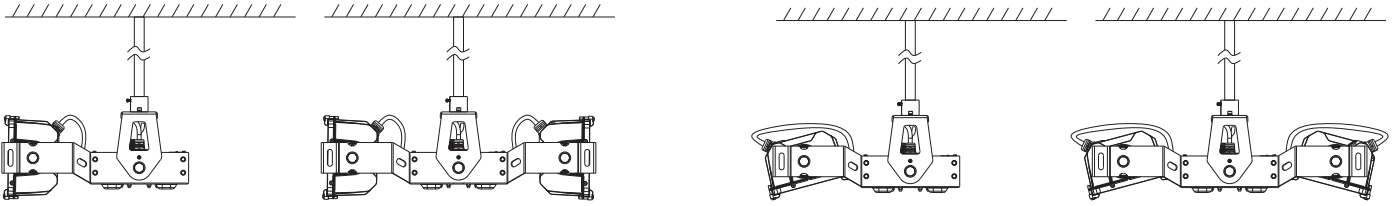
**POSITIONS ALLOWED**



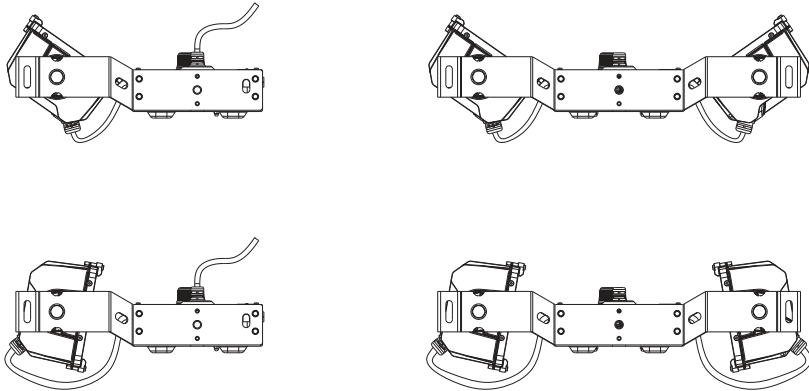
### POSITIONS ALLOWED



The recommended installation height is 3.28' - 9.84' between the ceiling and the light-emitting surface of the luminaire.

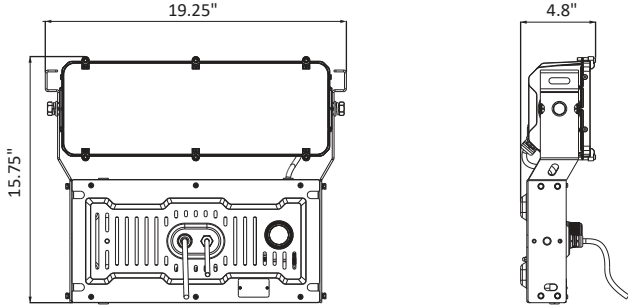


### POSITIONS NOT ALLOWED



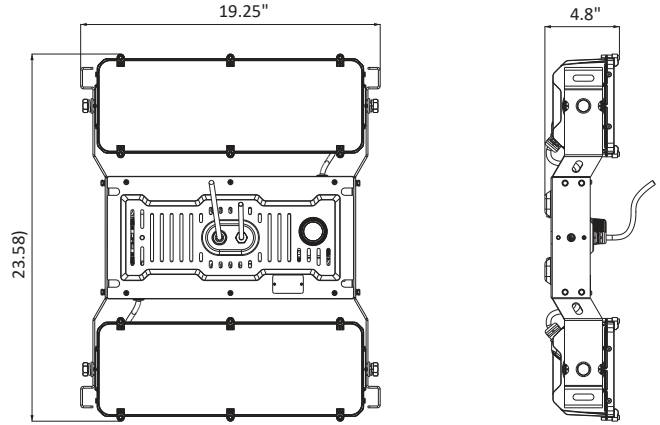
## SUSPENDED MOUNT INSTALLATION

300W

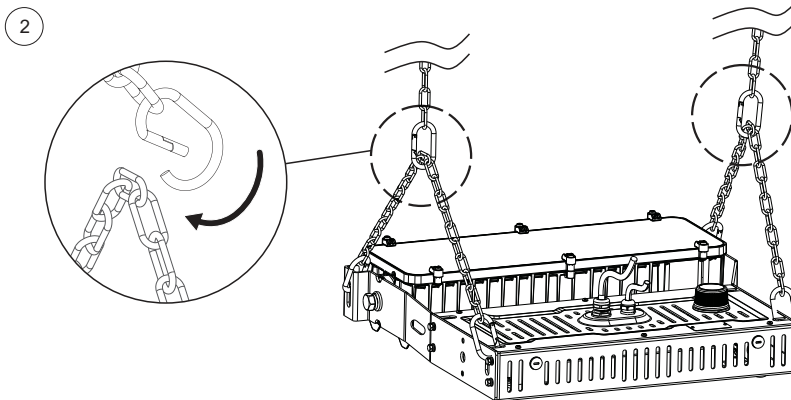
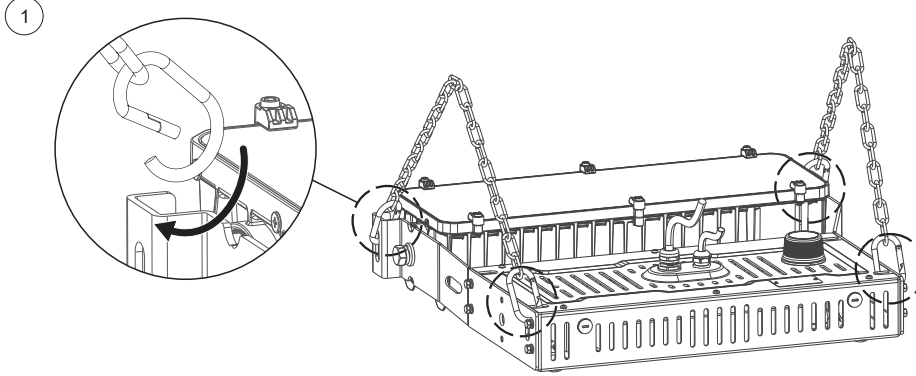


22.49LBS

600W

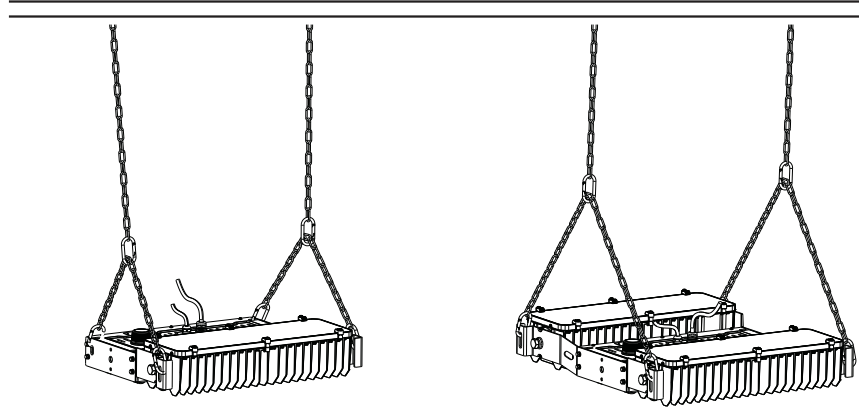


35.49LBS



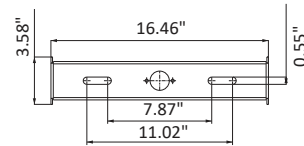
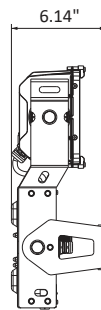
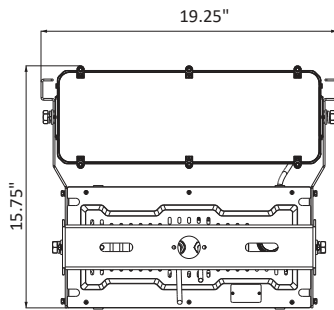
SUSPENDED MOUNT INSTALLATION

3



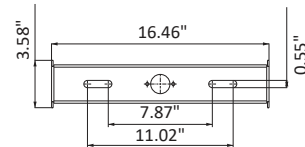
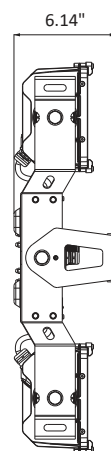
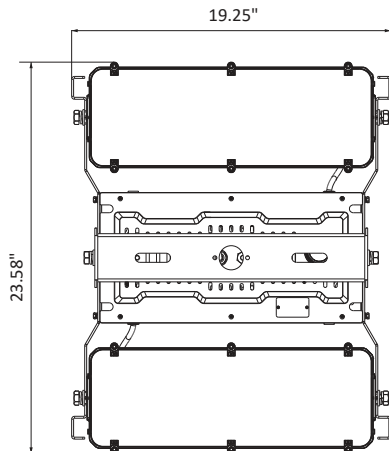
YOKE MOUNT INSTALLATION

M1



25.35LBS

M2



38.36LBS

## YOKE MOUNT INSTALLATION

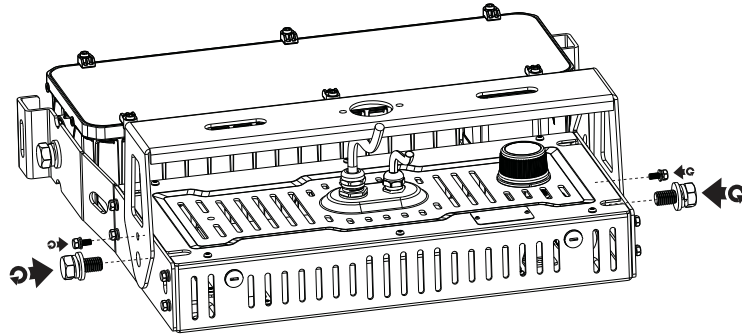
1 300W

M5 2PCS

8 2N.m

M12 2PCS

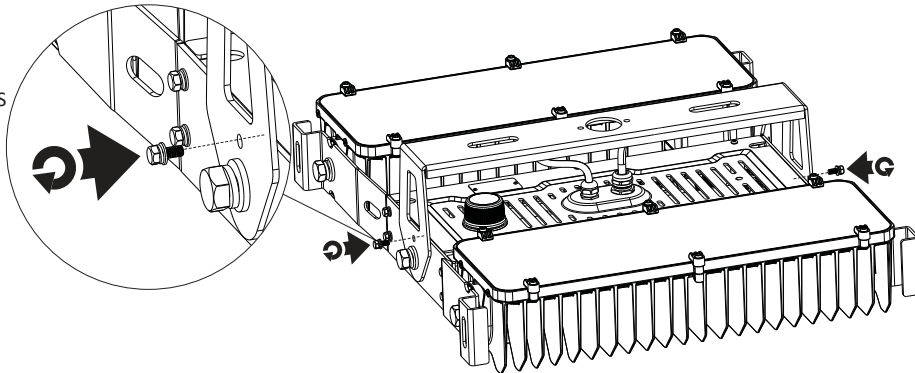
18 29N.m



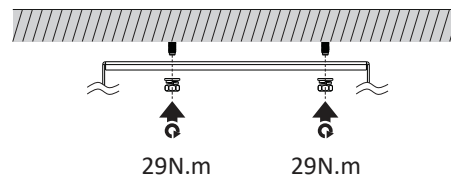
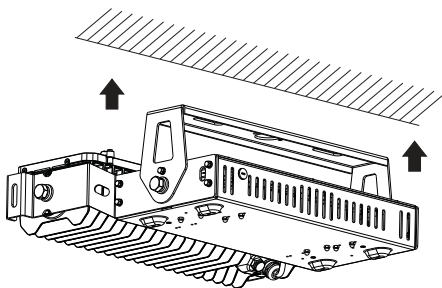
600W

M5 2PCS

8 2N.m



2

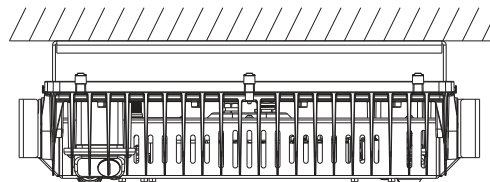
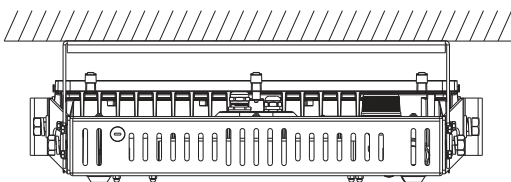


⚠ 2xM12 with extra large washer(not provided)

3

300W

600W



## PENDANT MOUNT INSTALLATION [3/4" NPT]

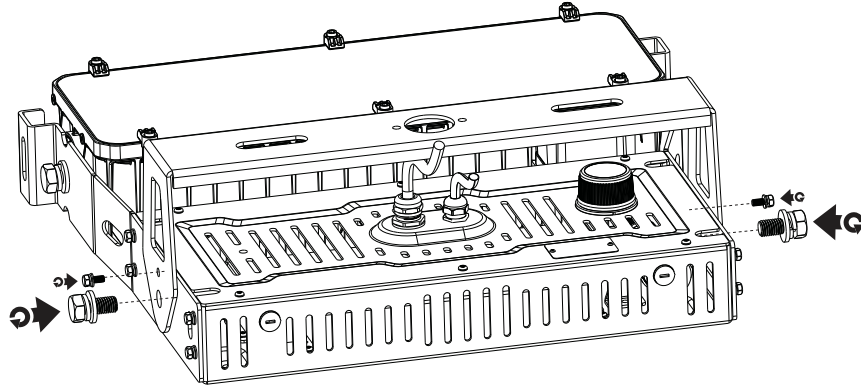
### 1 300W

M5 2PCS

8  
2N.m

M12 2PCS

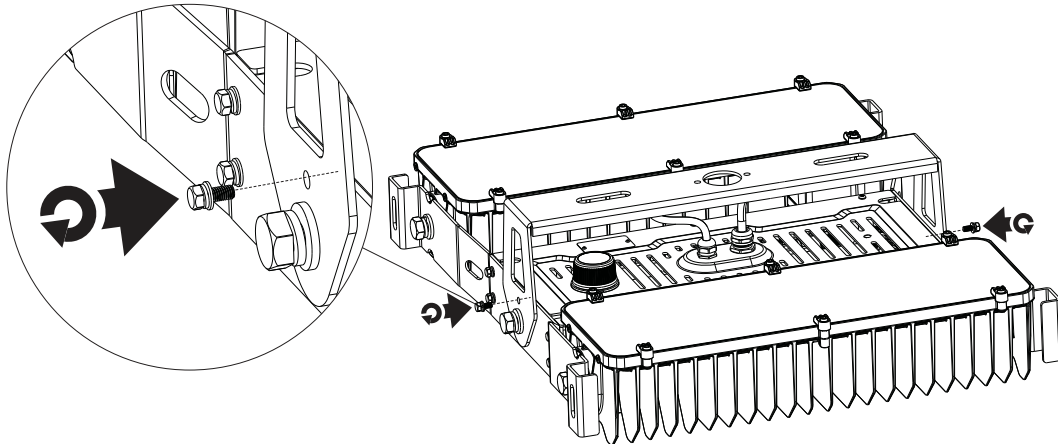
18  
29N.m



### 600W

M5 2PCS

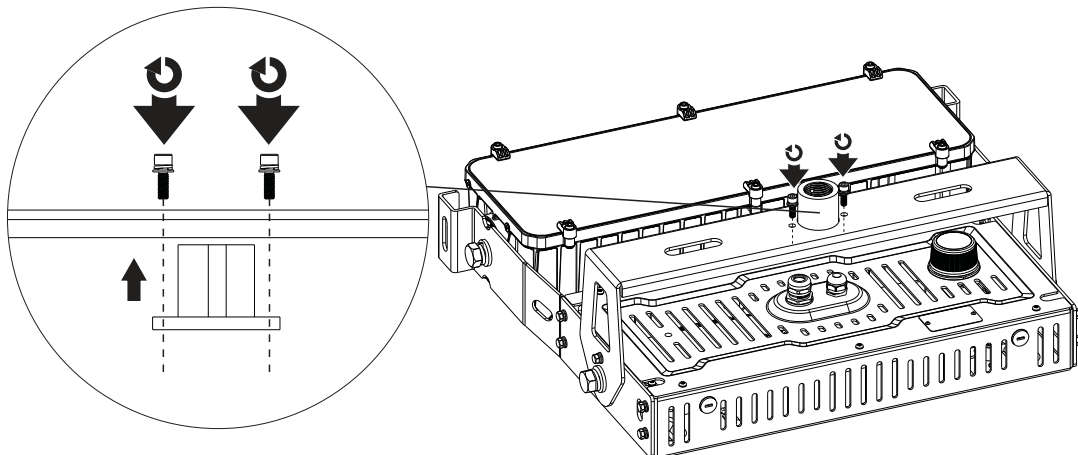
8  
2N.m



### 2

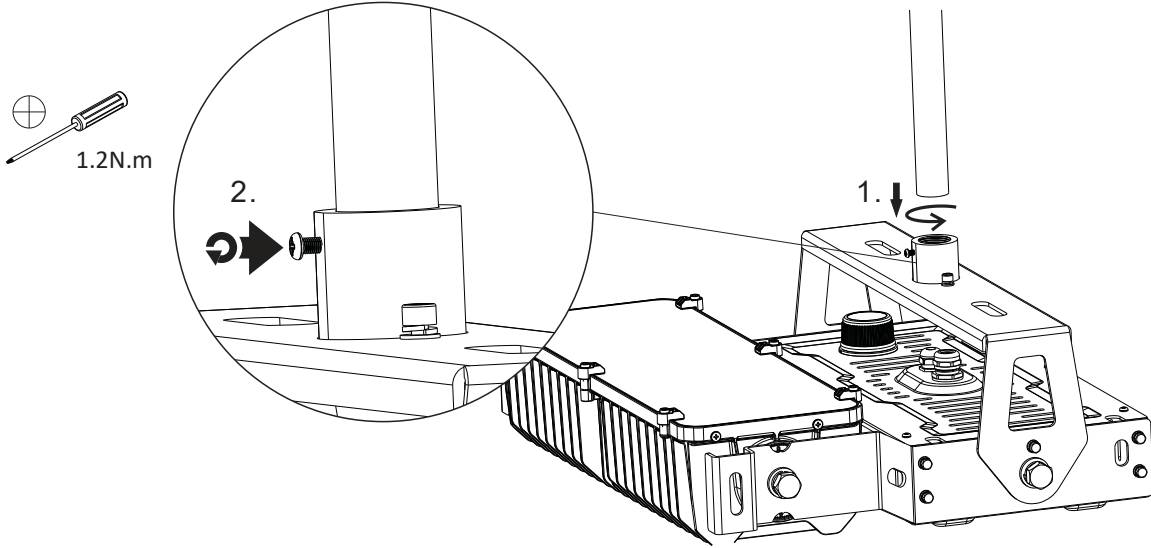
M5 2PCS

4  
2N.m

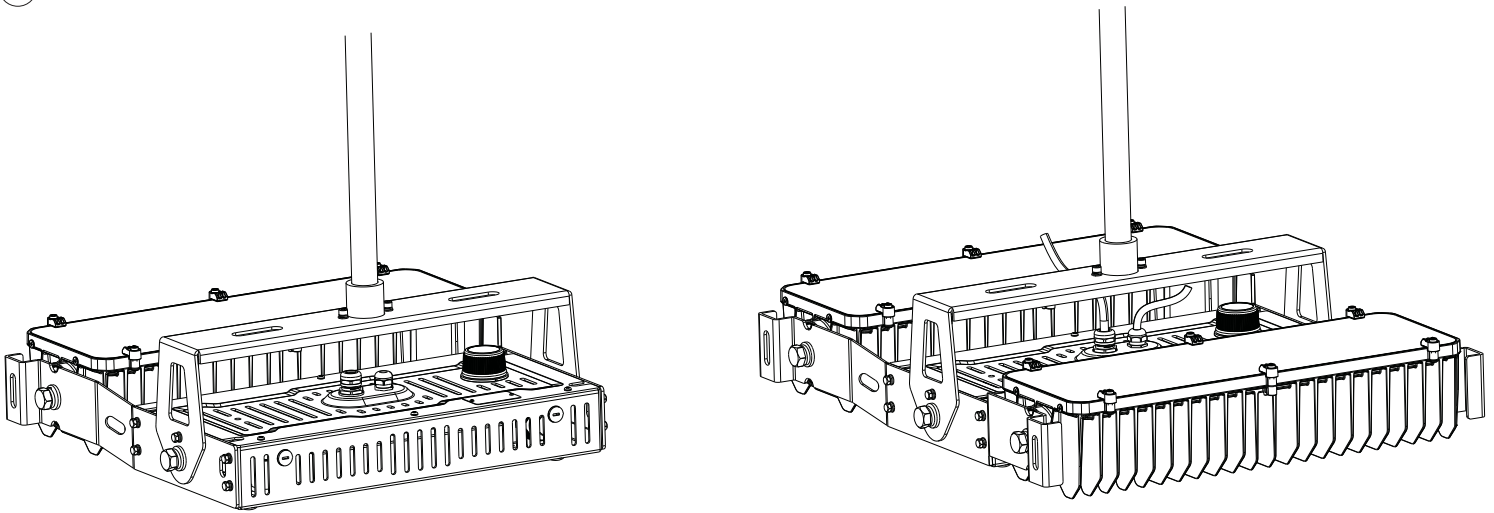


## PENDANT MOUNT INSTALLATION [3/4" NPT]

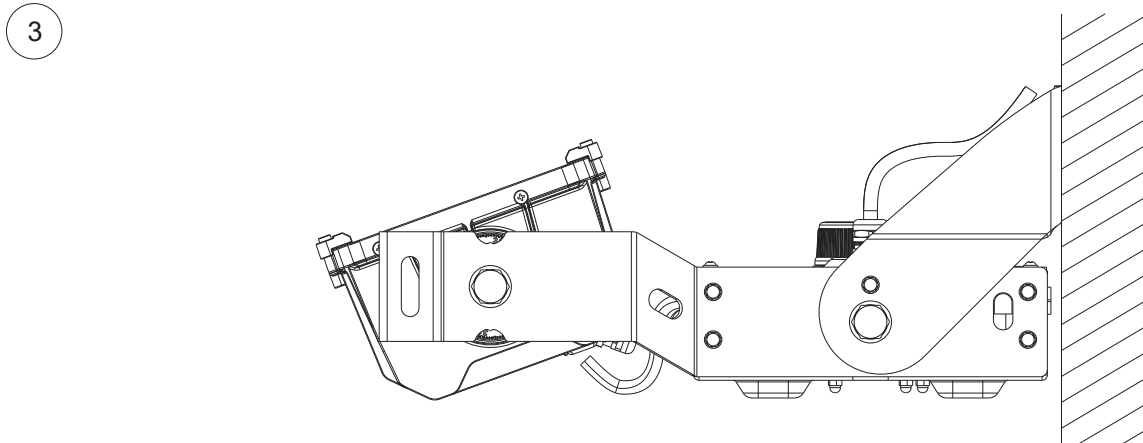
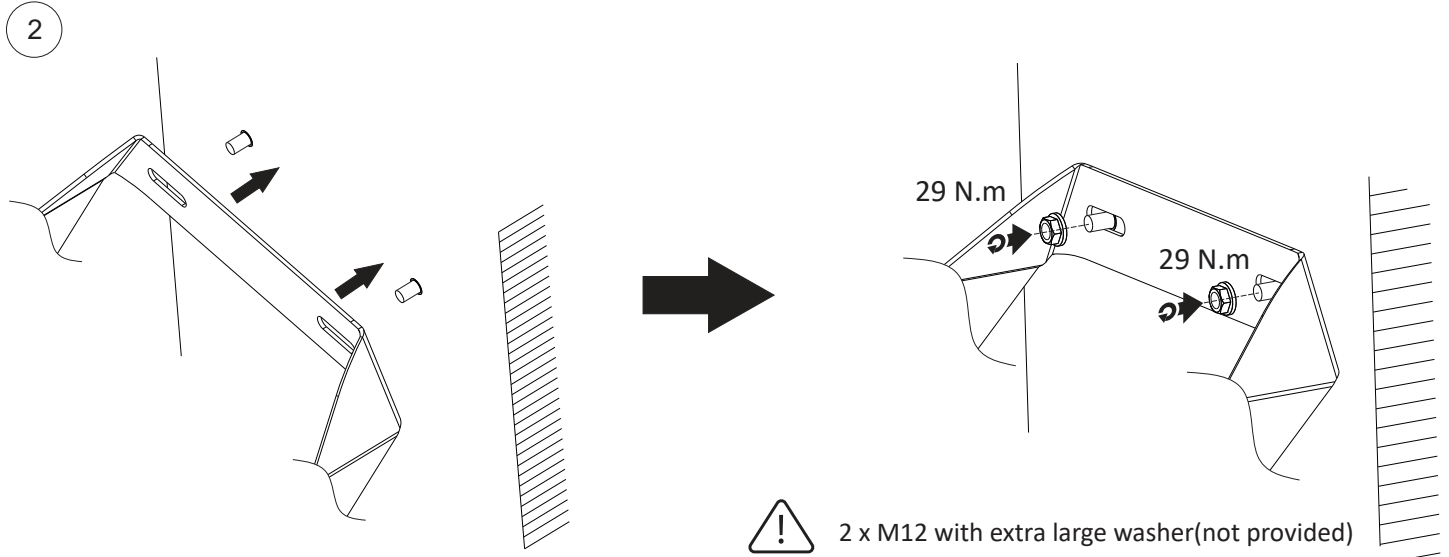
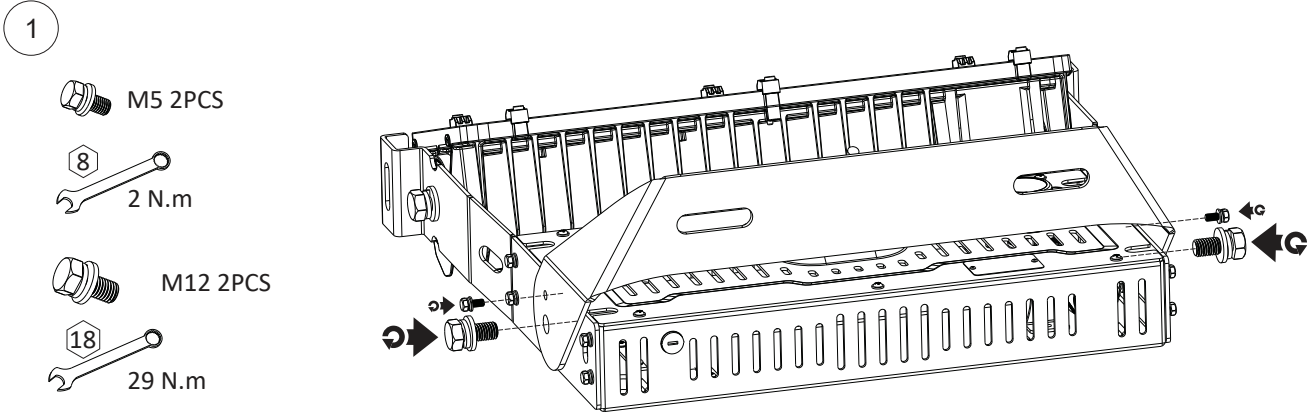
3



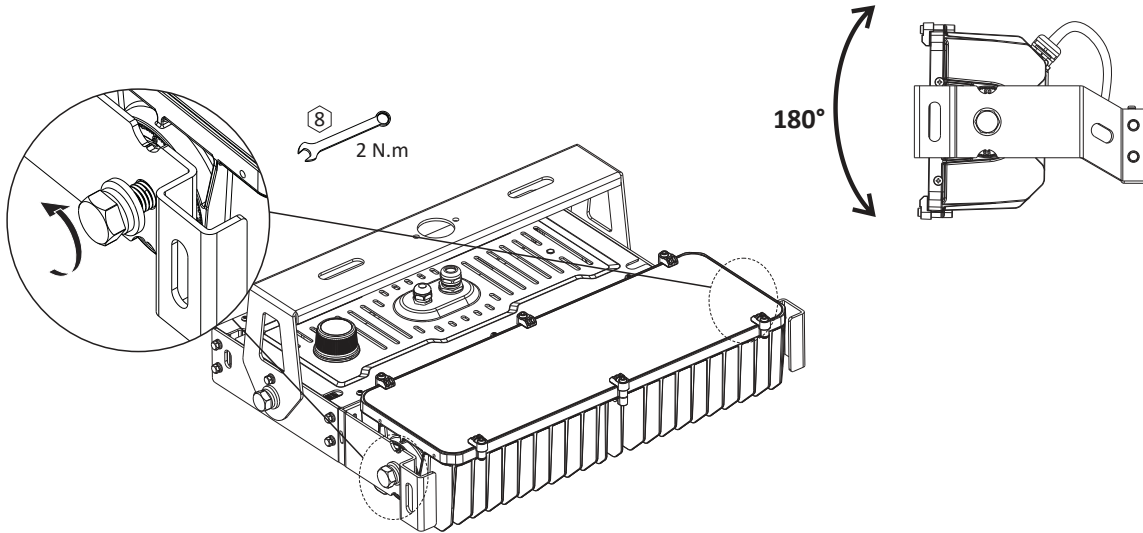
4



### WALL MOUNT INSTALLATION [ONLY M1]

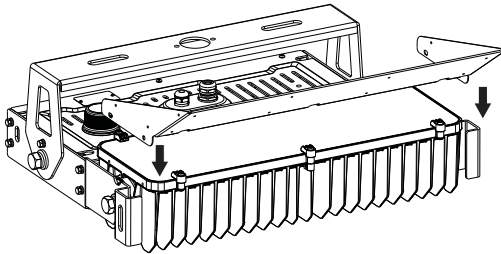


## ROTATION INSTRUCTIONS

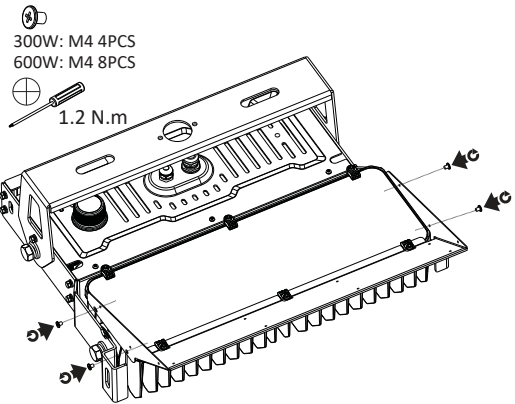


## VISOR INSTALLTION

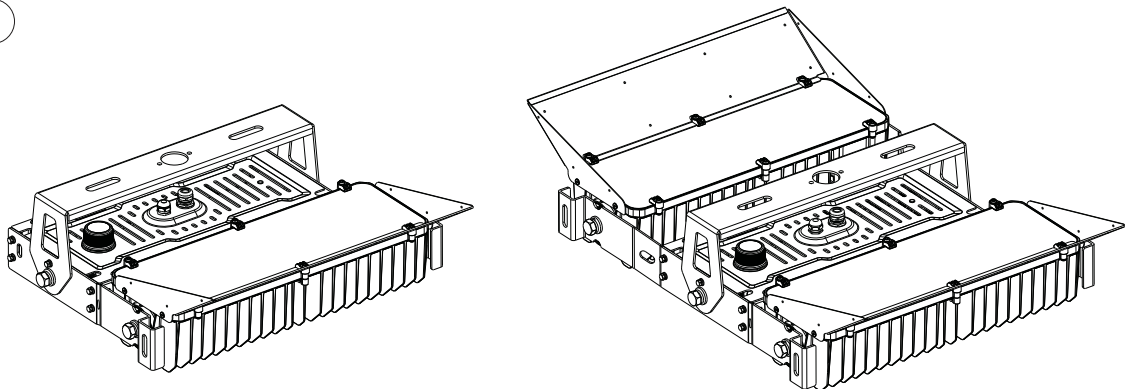
1



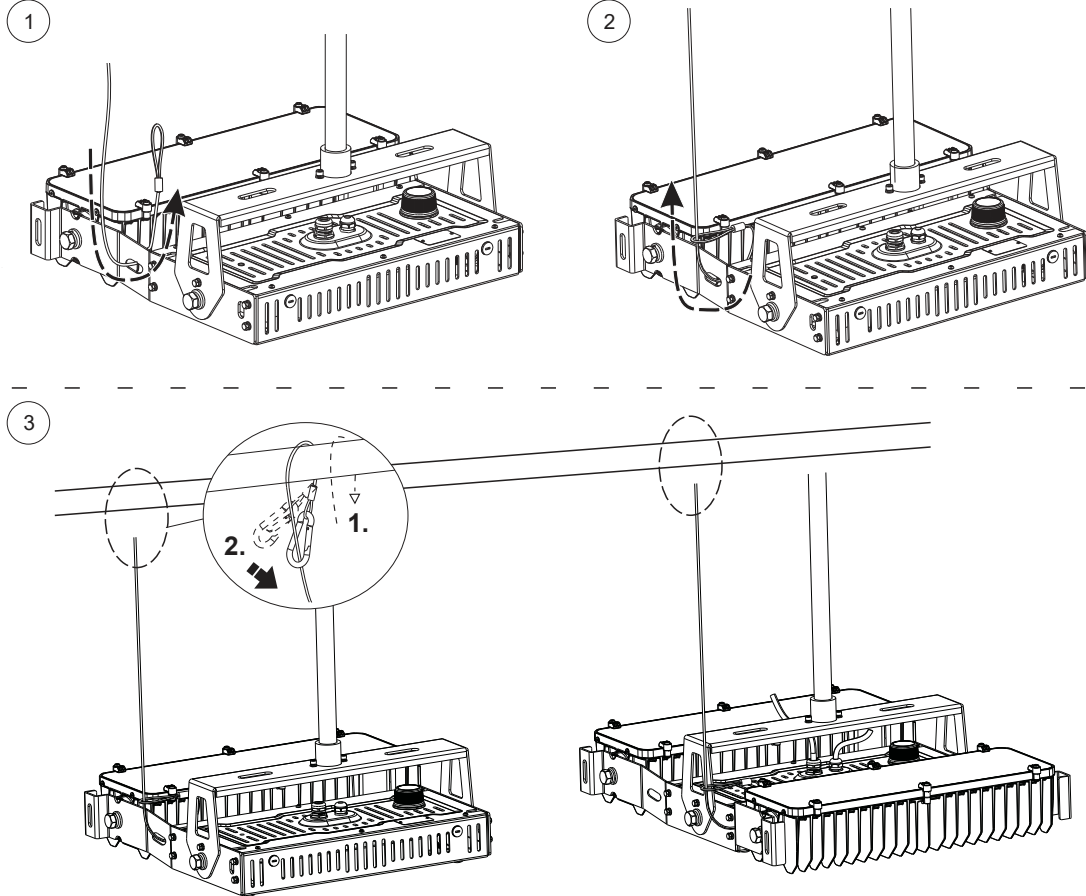
2



3

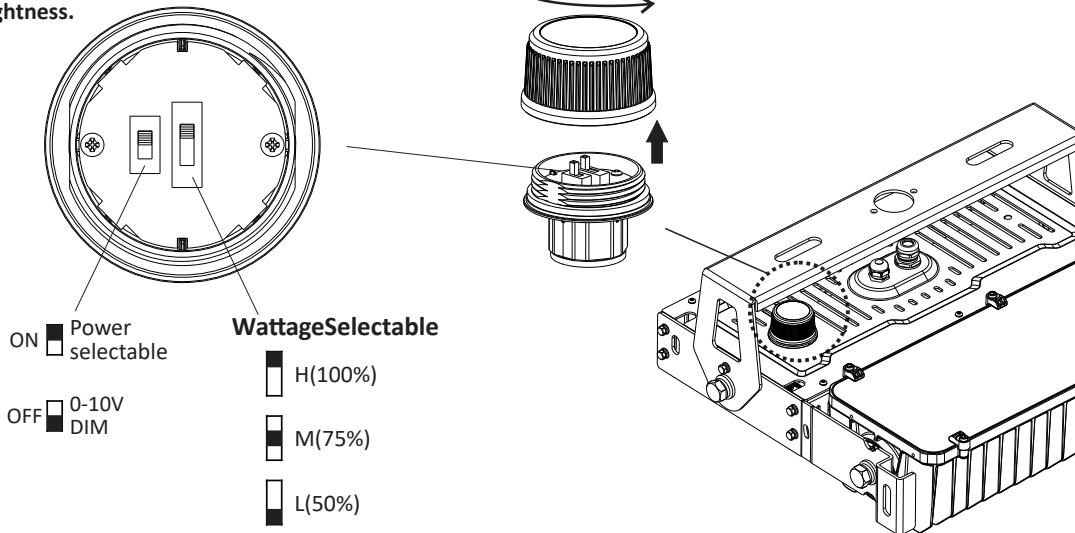


**SAFETY CABLE INSTALLATION**



**WATTAGE SELECTABLE**

Wattage select and 0-10V dim function optional.  
Default setting: Power select function with 100% brightness.



WIRE DETAILS



- L black
- N white
- ⊕ green

Dimming cords

**Note:** The color of the dimming cords is subject to the cable label on the luminaire.