

Date:	
Project Name:	
SKU #:	

FRW™
Fire Rated Wafer



APPLICATIONS

Residential, Commercial, Multi-Family Complex

FEATURES

- | | |
|---|--|
| <p>Construction</p> <ul style="list-style-type: none"> - Aluminum and Steel Casing | <p>Finish</p> <ul style="list-style-type: none"> - White Trim |
| <p>Electrical & Technical</p> <ul style="list-style-type: none"> - Input Voltage: 120V - Input Frequency: 60Hz - Projected Life L70: ≥ 50,000 hrs - PF: >0.9 - CRI: >90 - THD: <20% - CCT Selectable: 2700K/3000K/3500K/4000K/5000K - Operating Temp.: -4°F ~ 113°F - Wet Location Rated - 2 Hour Fire Rating: <ul style="list-style-type: none"> Complies with UL263 ASTM E119 & CAN ULC S101 - Power Cord Length: 13.57" | <p>Optical</p> <ul style="list-style-type: none"> - 120° Beam Angle <p>Installation/Mounting</p> <ul style="list-style-type: none"> - Recessed Mount [Standard]: <ul style="list-style-type: none"> Spring Loaded Retention Tabs - New Construction Kit (4", 6") - New Construction W/ Hanger Bar (4", 6") |
| <p>Controls</p> <ul style="list-style-type: none"> - Triac Dimming <p>Dimmer Compatibility List:</p> <p>Leviton: 6672, 6674, DSL06, RNL06, IPL06</p> <p>Lutron: TG-600PR-WH, S-600PR-WH, CTCL-153PDH-WH, TGCL-153PH-LA, SLV-600P-AL, DV-600PR-WH, SCL-153PH-WH, GT-600P, DVCL-153P, MSCL-OP153M, MACL-153M//MA-R, PD-6WCL</p> | <p>Lumen Output</p> <ul style="list-style-type: none"> • 4"/9W: 690lm • 6"/15W: 1,462lm |
| | <p>Warranty</p> <ul style="list-style-type: none"> - 5 Year Warranty See warranty documentation for more information. |

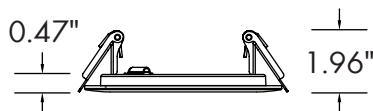
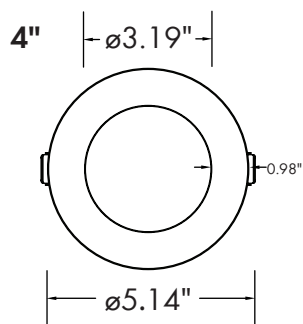


ORDERING INFORMATION **EXAMPLE: FRW-0409-C**

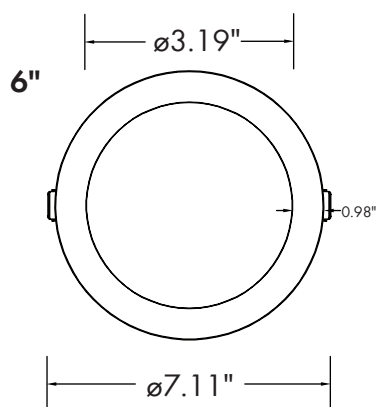
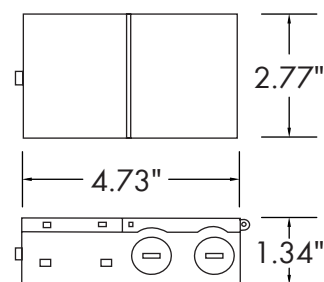
FRW		
Series	Size/Wattage	CCT
FRW	0409 - 4"/9W 0615 - 6"/15W	C - 2700K/3000K/3500K/4000K/5000K

- Kit Options**
- TWR-NC (New Construction Kit: 4", 6")
 - TWR-NC-H (New Construction Kit W/ Hanger Bar: 4", 6")

DIMENSIONS



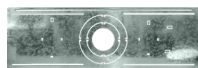
Driver Box [4", 6"]
Driver Box



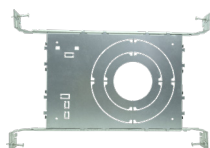
LUMEN OUTPUT

SKU	Size (in)	Wattage (W)	(2700K)		(3000K)		(3500K)		(4000K)		(5000K)	
			Delivered Lumens (lm)	Efficacy (lm/W)	Delivered Lumens (lm)	Efficacy (lm/W)	Delivered Lumens (lm)	Efficacy (lm/W)	Delivered Lumens (lm)	Efficacy (lm/W)	Delivered Lumens (lm)	Efficacy (lm/W)
FRW-0409-C	4	9	696	77.3	690	76.6	732	81.3	788	87.5	803	89.2
FRW-0615-C	6	15	1227	81.8	1462	97.4	1585	150.6	1666	110	1705	113.6

ACCESSORIES



New Construction Kit
(4", 6")
(Option)
[TWR-NC]



New Construction Kit
W/ Hanger Bars
(4", 6")
(Option)
[TWR-NC-H]