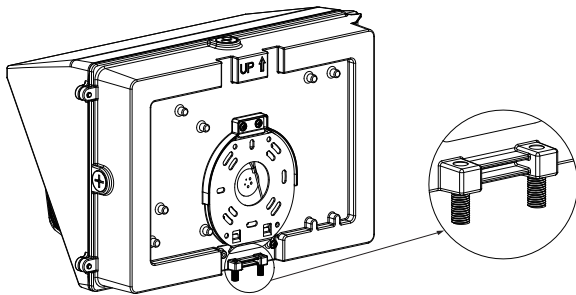


WARNING

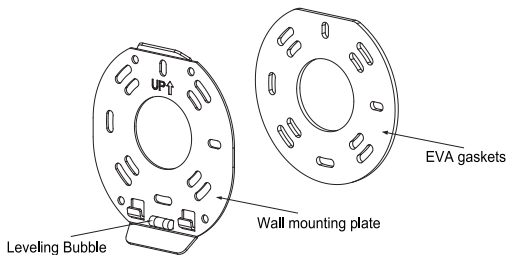
PLEASE READ ALL INSTRUCTIONS BEFORE ATTEMPTING INSTALLATION

- To prevent injury or product damage only licensed electricians should install.
- To avoid electric shock or component damage disconnect power before attempting installation or servicing.
- This product must be installed in accordance with the National Electric Code (NEC) and all applicable federal, state and local electric codes and safety standards.
- Any alteration or modification of this product is expressly forbidden as it may cause serious personal injury, death, property damage and/or product malfunction.
- To prevent product malfunction and/or electrical shock this product must be properly grounded.
- This luminaire is designed to operate in ambient temperatures ranging from -40°C to 40°C.
- This product must be installed in accordance with the applicable installation code by a person familiar with the construction and operation of the product and the hazards involved.
- This product is not to be used in special environments, such as places with corrosive gas liquids or high pressure water vapors.
- Please read this installation instruction guide thoroughly before installations. Save for future reference

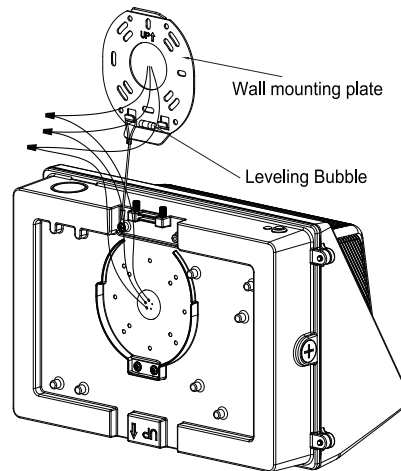
Installation



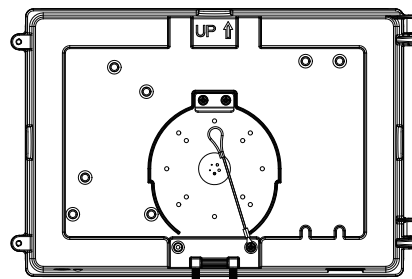
1. Loosen two M6x20-SS screws until they level with Steps and remove the wall mounting plate.



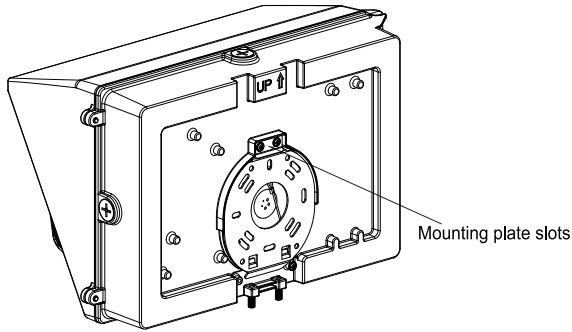
2. Stick EVA gaskets on the back of the wall mounting plate properly, which is important for waterproofing.
3. Place the wall mounting plate on the junction box according to the upwards arrow pointing. Note that the wall mounting plate must be leveled before tightening the screws.



4. Hanging the fixture on the wall mounting plate with a wire rope, and pay attention to protection the surface of the fixture during installation to prevent scratches and damage to the surface. Ensure the line voltage at the fixture is correct, make all necessary wiring connections, and push all the wiring and wire nuts into the junction box.



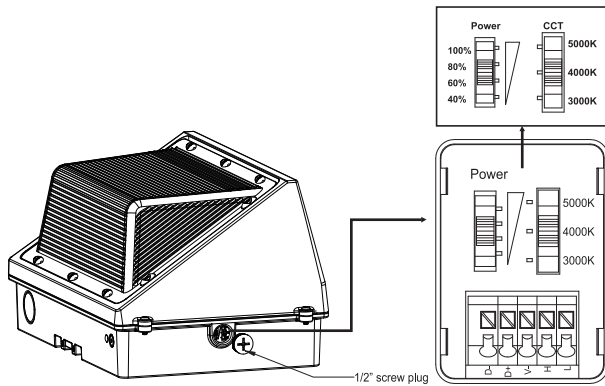
5. Lift the lamp and arrange the anti-falling wiring rope to avoid being exposed to the fixture or obstructing the installation.



- Place the fixture to the wall mounting plate, make sure that the wires are not pulled or pinched. Tighten the two M6x20-SS Screw in step 1.

Wattage and CCT Selectable Switch

Remove the 1/2" screw plug on the right side of the fixture. According to the fixture, slide the dial switch to the appropriate wattage and color temperature (CCT). Replace the 1/2" screw plug.

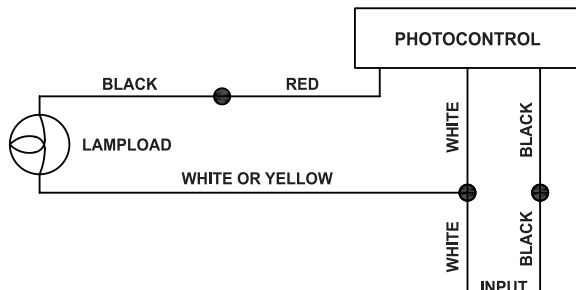


0-10V Dimming

Photocell Installation

Universal voltage drive permits operation at 60Hz except fixtures factory ordered with a 120-277V Photocell.

- Install photocell and wire as per diagram.
- Use photocell rated for your supply voltage.



Wiring Diagram

