

WARNING

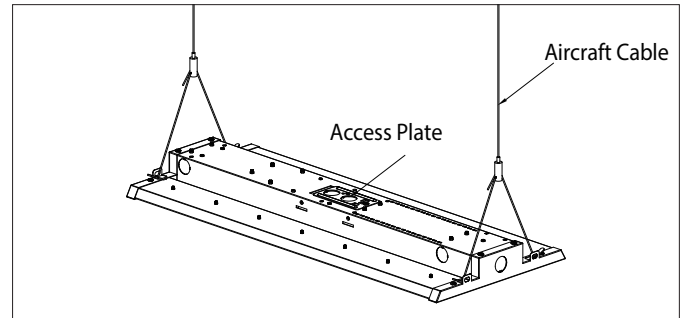
PLEASE READ ALL INSTRUCTIONS BEFORE ATTEMPTING INSTALLATION

- To prevent personal injury or product damage only licensed electricians should install.
- To avoid electric shock or component damage disconnect power before attempting installation or servicing.
- This product must be installed in accordance with the national electric code (NEC) and all applicable federal, state and local electric codes and safety standards.
- Disconnect product and allow cooling prior to servicing.
- Any alteration or modification of this product is expressly forbidden as it may cause serious personal injury, death, property damage and/or product malfunction.
- To prevent product malfunction and/or electrical shock this product must be properly grounded.
- This luminaire is designed to operate in ambient temperatures ranging from -30°C to 40°C and to be horizontally mounted with the LEDs facing down.
- This product is not available for several special environments, such as places with corrosive gas liquids or high pressure water vapor.

1. Hanging Mount

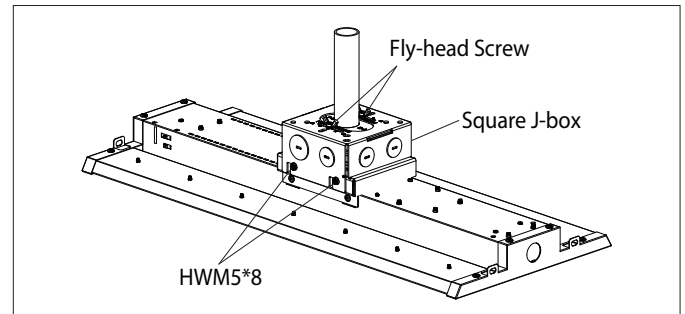
Inspect the fixture condition and accessories before installation

1. Each of the two aircraft cable rope hooks on both end of the mounting holes on fixture.
2. Remove the access plate, take the wires out of the power driver.
3. Pass the wires through the access plate hole , connect working and re-installing the access plate , the plug the flexible conduit into the hole of the access plate.



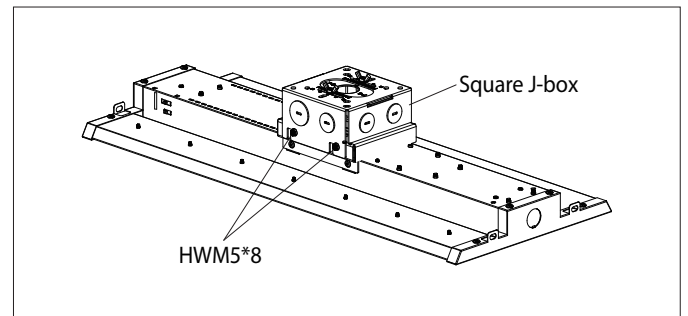
2. Pendant Mounting

1. Installing the adjustable board in Square J-Box with M4*8 fly-head flat bottom screw, and pass the 3/4" conduit through adjustable board, then attach to J-Box. (nut is provide by others)
2. Attach fixture to the hanger of square J-Box, and connecting wires.
3. Place the fixture horizontally, and attach it with J-Box by using M5*8 screws.



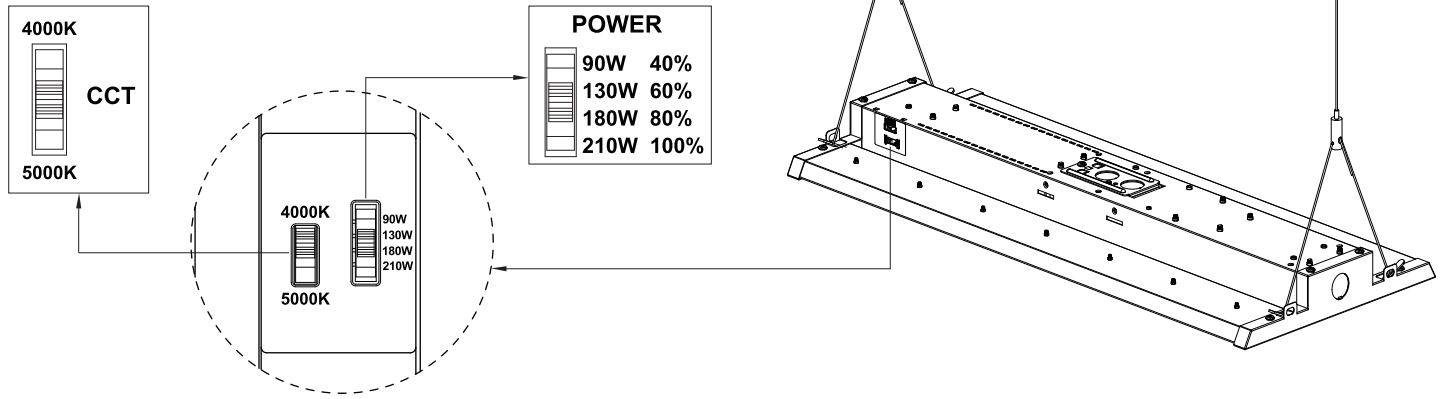
3. Surface Mounting

1. Attach the Square J-Box hanger to the ceiling junction box with screws. (Screw holes on square j-box hangers will align with the screw holes the junction box.)
2. Hook the fixture of the J-box base to the fixed hanger, pull out the wire and complete wiring connections.
3. Place the fixture horizontally and secure it with the M5*8 screws.



4. Wattage and CCT Selection Switch Version

Select the appropriate wattage and color temperature as shown in the diagram below



1. Loosen Two PM5x15mm screws on the side of the fixture, open the front cover of the housing, and adjust the DIP switch to the corresponding color temperature and power in the actual application requirements.
2. Make sure that all wires are securely connected and that there are not exposed conductors, cover the fixture, (Make sure wires do not get pinched) then tighten the screws.

Wiring Instructions

Universal voltage driver permits operation at 60Hz expect fixture factory ordered with a 120-277VAC or 347V/480V 0-10V Dimming, Follow the wiring direction as in wiring diagram

1. Connect the black fixture lead to the (+) Line supply lead.
2. Connect the white fixture lead to the (-) Common supply lead.
3. Connect the GROUND wire from the fixture to supply ground.
Do not connect the GROUND of the dimming fixture to the output.
4. Connect the purple fixture lead to the (V+) DIM lead.
5. Connect the pink fixture lead to the (V-) DIM lead.

Troubleshooting

1. Check the line voltage at the fixture is correct. Refer to wiring instructions.
2. Make sure that the fixture is grounded properly.
3. Be sure the motion sensor, if used, is functioning properly.
4. The 130W and 210W with external emergency batteries installed are only suitable for hanging mount option.

Wiring Diagram

