

STRIA™ 3 Suspended

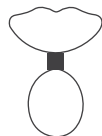
Direct - Direct/Indirect Linear



OPTICS



Direct: PCD/PCR



Indirect: BW
Direct: PCD/PCR



Indirect: LM
Direct: PCD/PCR

APPLICATIONS

Commercial, Retail, Office, Public Spaces

FEATURES

Stria™ (pronounced STRY-uh) comes from the Latin word for "line," referencing the clean, finely etched line of light it creates in a space. This linear series is engineered for crisp, continuous illumination with a refined, architectural presence. In suspended applications, Stria™ delivers a sleek 2.75-inch profile that elevates spaces with precision and simplicity.

Construction

- Precision cut housing extruded from 6063 aluminium
- Die-cast aluminium end-caps ensure a robust and clean construction

Finish

- White
- Black
- Silver
- Custom*

Electrical & Technical

- Input Voltage: 120-277V
- Input Frequency: 60Hz
- Projected Life: L70 > 237,000 hrs
- PF: >0.9
- CRI: >90
- THD: <15%
- CCT Options: 3000K, 3500K, or 4000K
- Operating Temp.: -13°F ~ 122°F
- 8W Emergency Backup (Option)

Optical

- PC Diffuser

Installation

- Suspended/Pendant mount

Warranty

- 5 Year Warranty. See warranty documentation for more information.

Dimming

- 0-10V Dim to 1%

Efficacy

- Up to 125 Lm/W



ORDERING INFORMATION

EXAMPLE: STR-3S-2-L-70-PCD-LM-D-30-U-SDS-BK

STR-3S						
Series	Length	Output ^{2,3}		Optics ³		Dimming ³
STR-3S	2 - 2 feet ³ 3 - 3 feet ³ 4 - 4 feet ³ 6 - 6 feet ³ 8 - 8 feet ³ XX' - Continuous row ¹	Power L - 7.5 W/FT M - 10 W/FT H - 12.5 W/FT	Ratio 70 - 70% Direct/30% Indirect 50 - 50% Direct/50% Indirect 10 - 100% Direct/0% Indirect	Direct PCD - PC Diffuser (Standard) PCR - Continuous Run Lens	Indirect LM - Lambertian BW - Batwing ³	D - 0-10V Dim to 1%
CCT ³	Voltage ³	Mounting ³		Finish	Options & Accessories	
30 - 3000K 35 - 3500K 40 - 4000K	U - 120-277V	SDT - Aircraft Cable (Standard) SDS - Drywall Suspension Mount SCS - Drop Ceiling Suspension Mount		BK - Black ³ WH - White ³ S - Silver CUS - Custom	EM - 8W Internal Battery Backup ^{3,4} BC - Black Canopy WC - White Canopy ³ SC - Silver Canopy	

Notes

1. Specify number of feet for continuous row. 1' increments starting at 2'.
2. Custom output available; contact factory.
3. Quick ship.
4. Available on 4' and longer configurations only.

SPECIFICATIONS

Construction

- Precision cut housing extruded from 6063 aluminium
- Die-cast aluminium end-caps ensure a robust and clean construction

Electrical

- 8W internal battery backup available.
- Standard CCT: 3000K, 3500K, or 4000K
- CRI: Ra ≥90

LED Drivers

- Class II UL certified driver
- Flicker free<5%
- PFC>0.9
- THD<15%

Controls & Integrated Sensors

- 0-10V continuous dimming driver (standard)
- Dimming wires capped with wire-nuts for non-dimming applications
- Compatible with most standard dimming devices

Linear Load

- Total connected load:
 - <420W at 120V
 - <960W at 277V

Lumen Maintenance

- 90% (L90) of initial light output at 61,000+ hrs
- 70% (L70) of initial light output at 237,000+ hrs

Emergency Battery Backup

- Available on 4' and longer configurations only. Emergency operation is provided on a per-driver basis; fixtures with multiple drivers require a corresponding emergency driver for each driver to maintain full emergency illumination. Please contact TGS to verify the required number of emergency drivers based on fixture length and driver configuration.

Lengths

- 2 ft, 3 ft, 4 ft, 6 ft, 8 ft

Finishes

- Powder coat finishes
- Standard



- Custom (Any Custom Color Available)



Optical



PC Diffuser
PCD

PC Continuous
Run Lens
PCR

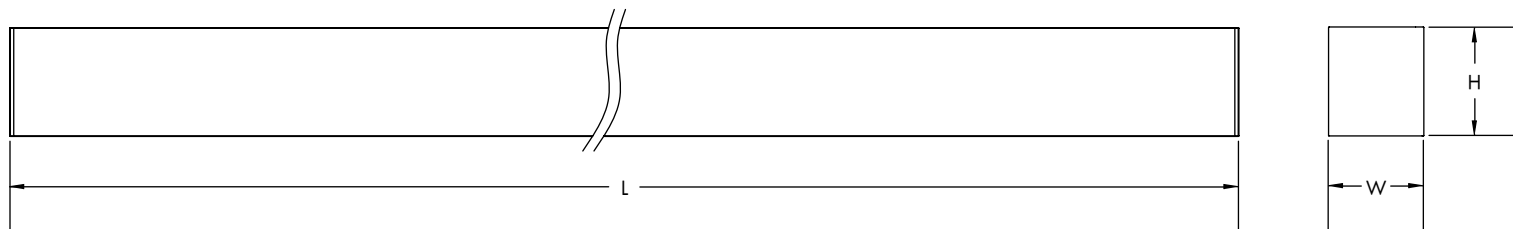
Installation

- Suspended/Pendant mount

Weight

- ~1.4 lbs. per foot

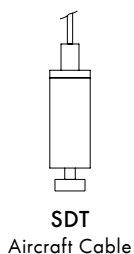
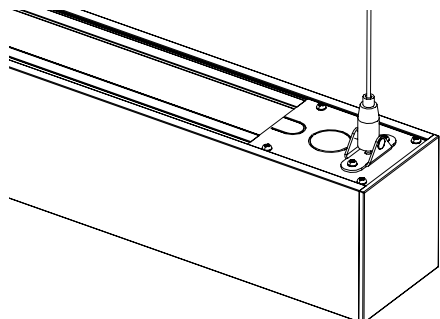
DIMENSIONS



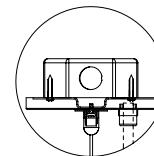
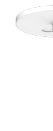
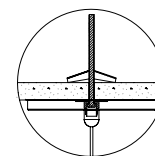
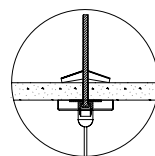
Size	Dimensions		
	Length (L)	Width (W)	Height (H)
2'	23.85"	2.75"	3.15"
3'	35.67"		
4'	47.48"		
6'	71.10"		
8'	94.72"		

MOUNTING

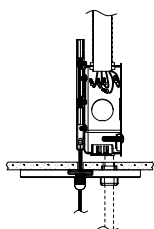
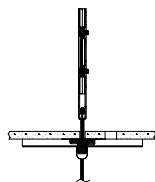
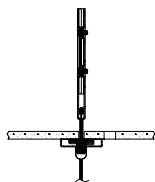
SDT: Aircraft Cable (Standard)



SDS: Drywall Suspension

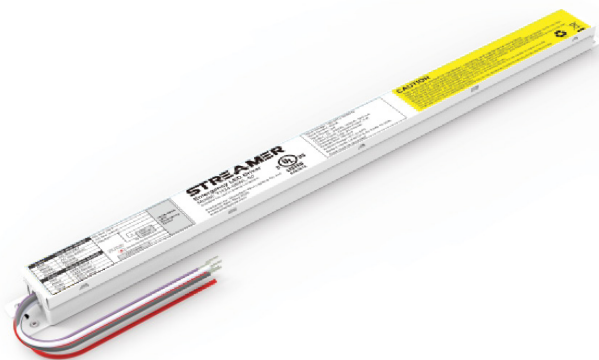


SCS: Drop Ceiling Suspension



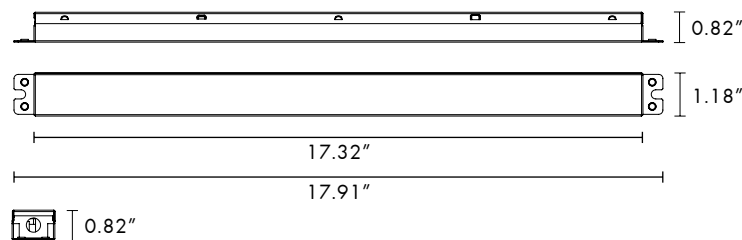
ACCESSORIES

Emergency Backup



8W Internal Battery Backup
8EM

Dimensions



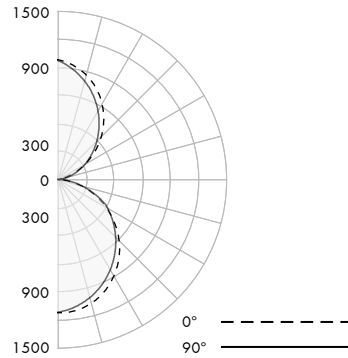
Features

- Powers 8W to 200W
- 90-Minute LiFePO4 Battery
- Rated Input Voltage: 100-347V, 100-277VAC, 50/60Hz
- Input Current: 20-100mA
- 24-Hour Recharge Time
- Ambient Operating Temperature: 50 - 140°F
- Service Life: 50,000 Hours
- LED Indicator Light
- UL Listed for Dry & Damp Locations

PHOTOMETRICS

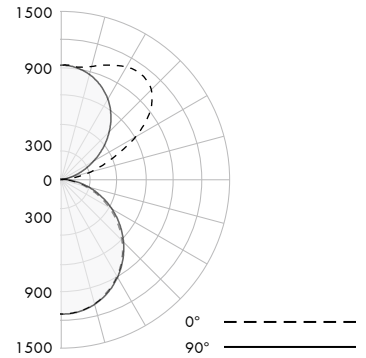
STRIA-3S: 4' / 4000K / 50-50

- Efficacy: 121.5 lm/W
- Lumens/Foot: 1497.83 lm/ft
- Nominal Power: 50W
- Input Voltage: 120V
- Distribution: 50% Down / 50% Up



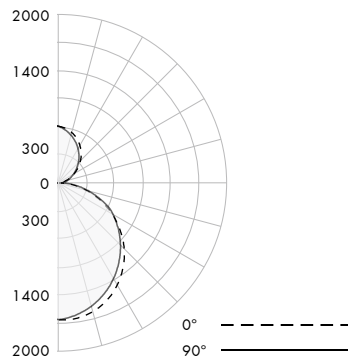
STRIA-3S: 4' / 4000K / 50-50

- Efficacy: 139.94 lm/W
- Lumens/Foot: 1717.81 lm/ft
- Nominal Power: 50W
- Input Voltage: 120V
- Distribution: 50% Down / 50% Up



STRIA-3S: 4' / 4000K / 70-30

- Efficacy: 125.55 lm/W
- Lumens/Foot: 1550.56 lm/ft
- Nominal Power: 50W
- Input Voltage: 120V
- Distribution: 70% Down / 30% Up



STRIA-3S: 4' / 4000K / 70-30

- Efficacy: XX lm/W
- Lumens/Foot: XX lm/ft
- Nominal Power: 50W
- Input Voltage: 120V
- Distribution: 70% Down / 30% Up

COMING SOON

PERFORMANCE

100% Direct

Length	Watts/Foot	Total Watts	Lumens/Foot - Direct	Lumens/Foot - Indirect	Total Lumens	Efficacy
2'	Low 7.5 W/ft	15	937.5 Lm/Ft	0 Lm/Ft	1875	125 lm/W
3'		22.5			2812.5	
4'		30			3750	
6'		45			5625	
8'	60	7500	1250 Lm/Ft	0 Lm/Ft	2500	125 lm/W
2'	Medium 10 W/ft	20			3750	
3'		30			5000	
4'		40			7500	
6'		60	10000			
8'	80	1562.5 Lm/Ft	0 Lm/Ft	3125	125 lm/W	
2'	High 12.5 W/ft			25		4687.5
3'				37.5		6250
4'				50		9375
6'		75	12500			
8'	100					

PERFORMANCE

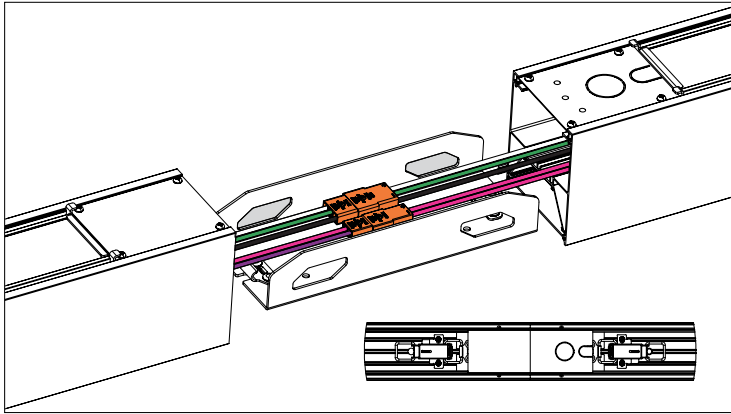
50% Direct / 50% Indirect

Length	Watts/Foot	Total Watts	Lumens/Foot - Direct	Lumens/Foot - Indirect	Total Lumens	Efficacy
2'		15			1875	
3'		22.5			2812.5	
4'	Low 7.5 W/ft	30	468.75 Lm/Ft	468.75 Lm/Ft	3750	125 Lm/W
6'		45			5625	
8'		60			7500	
2'		20			2500	
3'		30			3750	
4'	Medium 10 W/ft	40	625 Lm/Ft	625 Lm/Ft	5000	125 Lm/W
6'		60			7500	
8'		80			10000	
2'		25			3126	
3'		37.5			4689	
4'	High 12.5 W/ft	50	781.5 Lm/Ft	781.5 Lm/Ft	6252	125 Lm/W
6'		75			9378	
8'		100			12504	

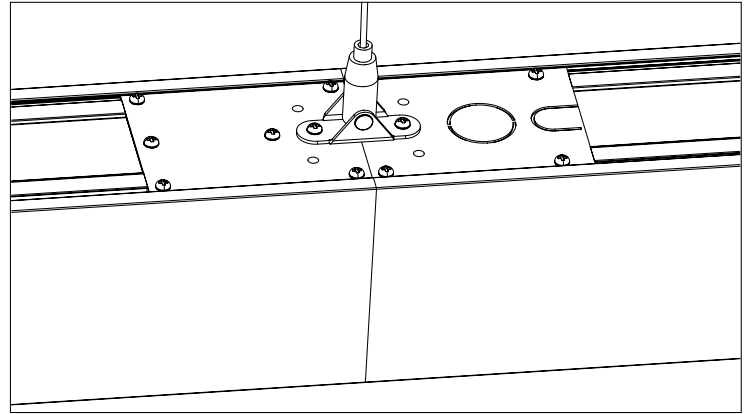
70% Direct / 30% Indirect

Length	Watts/Foot	Total Watts	Lumens/Foot - Direct	Lumens/Foot - Indirect	Total Lumens	Efficacy
2'		15			1875	
3'		22.5			2812.5	
4'	Low 7.5 W/ft	30	656.25 Lm/Ft	281.25 Lm/Ft	3750	125 Lm/W
6'		45			5625	
8'		60			7500	
2'		20			2500	
3'		30			3750	
4'	Medium 10 W/ft	40	875 Lm/Ft	375 Lm/Ft	5000	125 Lm/W
6'		60			7500	
8'		80			10000	
2'		25			3125	
3'		37.5			4687.5	
4'	High 12.5 W/ft	50	1093.75 Lm/Ft	468.75 Lm/Ft	6250	125 Lm/W
6'		75			9375	
8'		100			12500	

CONTINUOUS ROW DIAGRAM

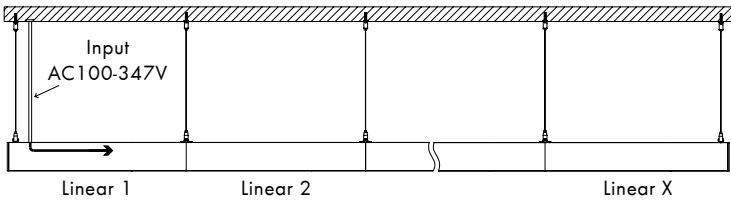


Continuous Row Bracket

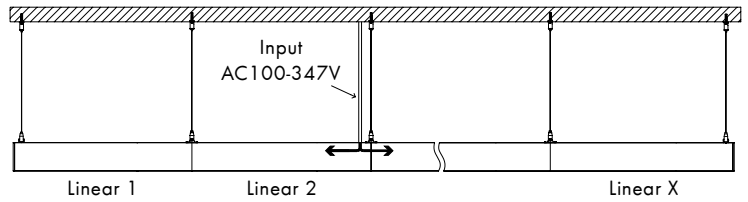


Aircraft Cable Connector

SINGLE DIRECTION



MULTI-DIRECTION



Total connected load:

- <420W at 120V
- <960W at 277V
- <1200W at 347V