

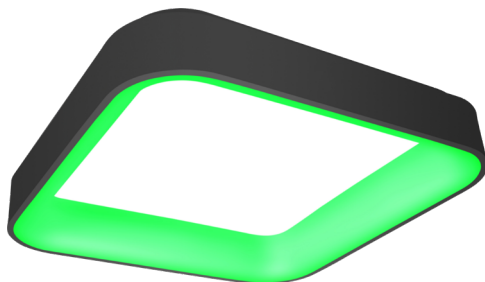
Date:	
Project Name:	
SKU #:	

## GALAXY™ S

Suspended/Surface Architectural Square



Suspended Mount



Surface Mount

### APPLICATIONS

Commercial, Retail, Office, Public Spaces

### FEATURES

#### Construction

- Aluminum Body Housing
- Powder Coated Finish

#### Optical

- 160° Beam Angle

#### Electrical & Technical

- Input Voltage: 120-277V
- Input Frequency: 50/60Hz
- Projected Life: L70 > 50,000 hrs
- PF: >0.9
- CRI: >90
- THD: <20%
- CCT: 3000K, 3500K, 4000K, 5000K
- Operating Temp.: -4°F ~ 104°F
- Damp Location Rated

#### Installation/Mounting

- Suspended Mount
  - Available Lengths: 10' [Standard]
- Surface Mount

#### Warranty

- 5 Year Warranty
- See warranty documentation for more information.

#### Controls

- 0-10V Dimming

#### Lumen Output

- 15W: 1,050lm
- 25W: 1,750lm
- 36W: 2,520lm
- 50W: 3,500lm

### STANDARD OUTER/INNER COLOR COMBINATIONS



NOTE: Any Custom Outer/Inner RAL Color Combinations Available\*

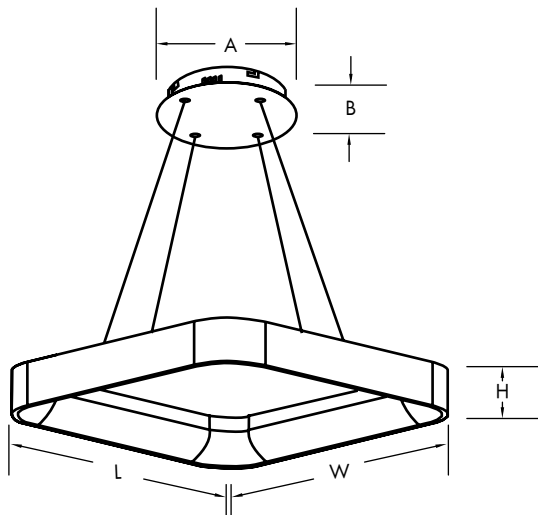


## ORDERING INFORMATION

EXAMPLE: GAL-S-14-15-40-U-D1-BK-CM10

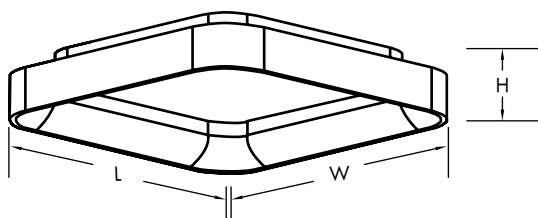
Series	Size	Wattage	CCT	Input Voltage	Control	Finish	Mounting Option
GAL-S	14 - 14"	15 - 15W	30 - 3000K	U - 120-277V	D1 - 0-10V Dimming	<b>STANDARD</b> BW - Black/White BB - Black/Black WW - White/White WB - White/Black <b>CUSTOM*</b> CC - Custom/Custom RAL	CM10 - Suspended Mount SM - Surface Mount
	18 - 18"	25 - 25W	35 - 3500K				
	24 - 24"	36 - 36W	40 - 4000K				
	32 - 32"	50 - 50W	50 - 5000K				

DIMENSIONS



Suspended Mount

Wattage	Fixture			Canopy	
	Length (L)	Width (W)	Height (H)	Diameter (A)	Height (B)
15W	14.2"	14.2"	3.5"	∅10.0"	2.0"
25W	17.7"	17.7"	3.5"	∅10.0"	2.0"
36W	23.6"	23.6"	3.5"	∅10.0"	2.0"
50W	31.5"	31.5"	3.5"	∅10.0"	2.0"



Surface Mount

Wattage	Fixture		
	Length (L)	Width (W)	Height (H)
15W	14.2"	14.2"	4.6"
25W	17.7"	17.7"	4.6"
36W	23.6"	23.6"	4.6"
50W	31.5"	31.5"	4.6"

LUMEN OUTPUT

SKU	Wattage (W)	Delivered Lumens (lm)	Efficacy (lm/W)
GAL-S-14-15-40-U-D1-BK-CM10	15	1050	70
GAL-S-18-25-40-U-D1-BK-CM10	25	1750	70
GAL-S-24-36-40-U-D1-BK-CM10	36	2520	70
GAL-S-32-50-40-U-D1-BK-CM10	50	3500	70