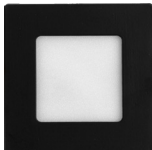
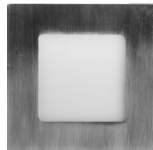


ThinTek™ Wafer S
Recessed DownlightWhite Finish
[Standard]

Black Finish



Nickel Finish



Bronze Finish

Date:	
Project Name:	
SKU #:	

APPLICATIONS

Residential, Commercial, Multi-Family Complex

FEATURES

Construction

- Die-cast Aluminum Housing

Electrical & Technical

- Input Voltage: 120VAC
- Input Frequency: 60Hz
- Projected Life: L70 > 50,000 hrs
- PF: >0.9
- CRI: >90
- THD: <20%
- CCT Selectable: 2700K/3000K/3500K/
4000K/5000K
- Operating Temp.: -4° F ~ 104° F
- Wet Location Rated

Finish

- White Trim [Standard]
- Nickel Trim*
- Black Trim*
- Bronze Trim*

Optical

- 110° Beam Angle

Installation/Mounting

- Recessed Mount [Standard]:
Spring loaded retention tabs

Controls

- Triac Dimming

Compliance

- JA8 TITLE 24 Compliant

Dimmer Compatibility List:

Leviton: 6674, 6633-P, 6683, 6672, IPL06, VP106, DB33K1, 1F4205, 1A2305
Lutron: NT-1000, S-603P, S-600P, CTCL-153P, DVW-603PGH-WH, 4X603,
DVCL-163P-WH, CTCL-153PDH-WH, SLV-600P-WH, DV-600P,
CT-603PGH,WH, MIR-600THW-WH, CACL-153M-WH

Lumen Output

- 3"/6W: 420lm
- 4"/12W: 750lm
- 6"/15W: 1,050lm
- 8"/20W: 1,550lm
- 12"/24W: 1,900lm

Warranty

- 5 Year Warranty
- See warranty documentation for more information.



ORDERING INFORMATION

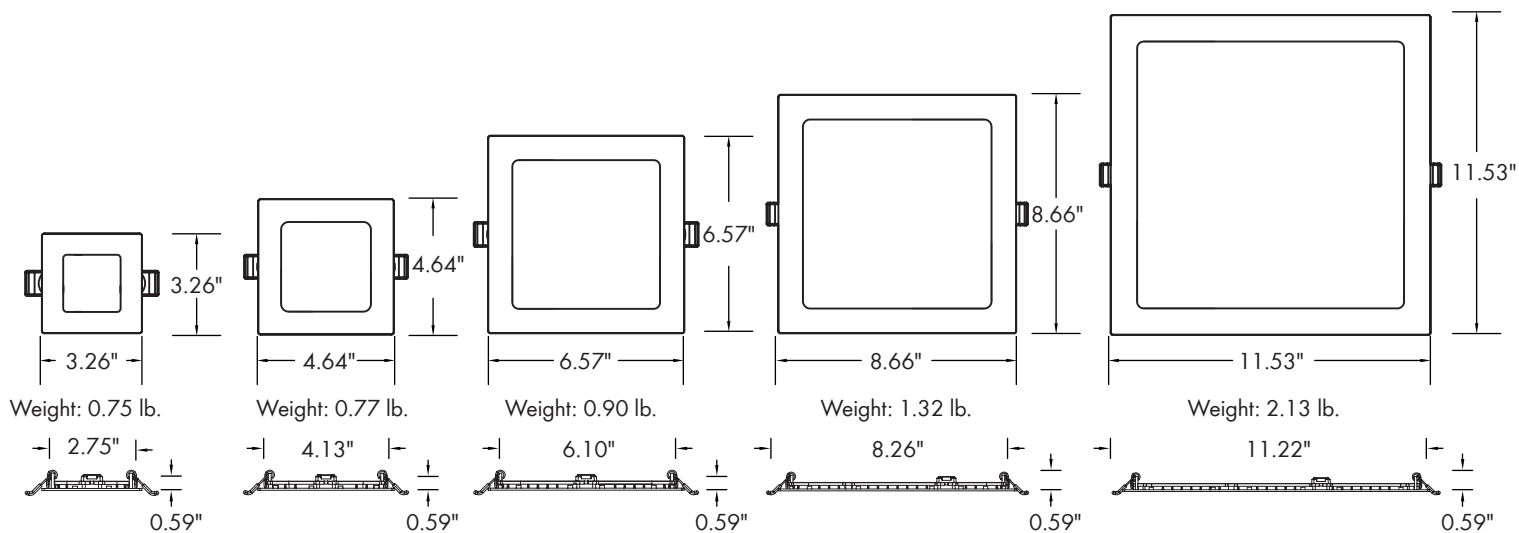
EXAMPLE: TWSF-0412-C-S

Series	Size/Wattage	CCT	Input Voltage/Control	Trim Finish Option
TWSF	0306 - 3"/6W 0412 - 4"/12W 0615 - 6"/15W 0820 - 8"/20W 1224 - 12"/24W	C - 2700K/3000K/3500K/4000K/5000K	S - 120V/Triac Dimming	WH - White NI - Nickel* BK - Black* BR - Bronze*

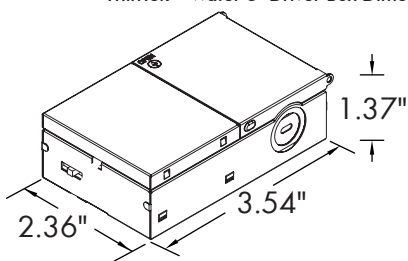
Accessories

- TW-EC-A (10" Extension Cable)
- TW-EC-B (20" Extension Cable)

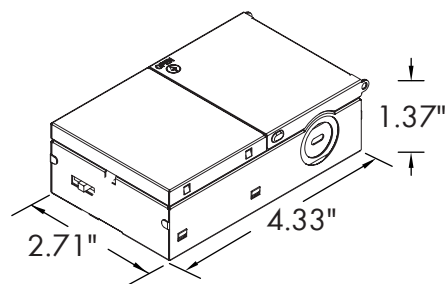
DIMENSIONS



ThinTek™ Wafer 3" Driver Box Dimension:



ThinTek™ Wafer 4", 6", 8", 12" Driver Box Dimension:



LUMEN OUTPUT

SKU	Size (in)	Wattage (W)	Delivered Lumens (lm)	Efficacy (lm/W)
TWSF-0306-C-S	3	6	420	70
TWSF-0412-C-S	4	12	750	62
TWSF-0615-C-S	6	15	1050	70
TWSF-0820-C-S	8	20	1550	77
TWSF-1224-C-S	12	24	1900	79

ACCESSORIES



Spring Loaded Retention Tabs
Recessed Mounted
(Standard)



10" or 20"
Extension Cable
(Option)
[TW-EC-A]
[TW-EC-B]