

WARNING

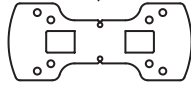
PLEASE READ ALL INSTRUCTIONS BEFORE ATTEMPTING INSTALLATION

- To prevent personal injury or product damage only licensed electricians should attempt to install
- To avoid electric shock or component damage disconnect power before attempting installation or servicing.
- This product must be installed in accordance with the current National Electric Code (NEC) and all applicable federal, state and local electric codes and safety standards.
- Disconnect product and allow cooling prior to servicing.
- Any alteration or modification of this product is expressly forbidden as it may cause serious personal injury, death, property damage and/or product malfunction.
- To prevent product malfunction and/or electrical shock this product must be properly grounded.
- To prevent wiring damage or abrasion, do not expose wiring to edges of sheet metal or other sharp objects.
- Damp locations Rated

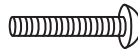
Included Items



LAMP
1 PC



MOUNTING BRACKET
1 PC



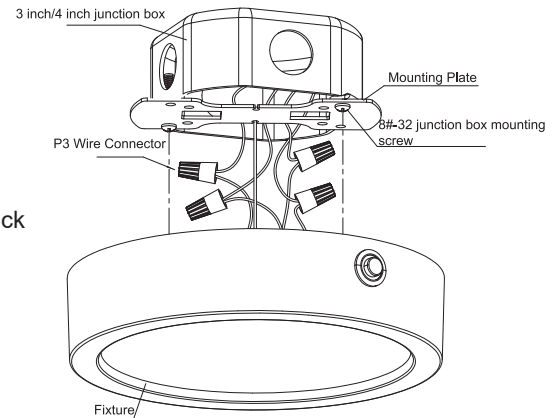
SCREW #8-32X0.75"
2 PC



WIRING NUTS
4 PC

Instructions:

1. Make sure that Power is TURNED OFF.
2. Prior to installation, install the mounting plate on the junction box with mounting screws. Drive screws completely to the end of the junction box.
3. Connect supply wires to wires on fixture with wirenuts. Connect white to white, black to black and green wire to green wire as grounding connection.
4. Completing the installation by pushing the fixture into the mounting plate.
5. Turn the power back on.



LED indicator colors/functions.

- AC power is present, the emergency driver is charging in a standby mode, the red LED light on to indicate that it is charging.
- When the AC power goes out, the emergency driver detects the AC power outage and automatically switch to the working emergency mode. The red LED light off.
- When the AC power is restored, the emergency driver backs to AC power working and starts re-charging, the red LED light on.
- Minimum charge time 24hours

Wattage: 17W
 Input Voltage: 120V, 60Hz
 Lumens: 1000 lm
 CCT:
 CRI: 90
 Emergency Mode:
 Lumens: 300 lm
 Emergency Operation: Minimum 90 Minutes

Wiring Diagram

