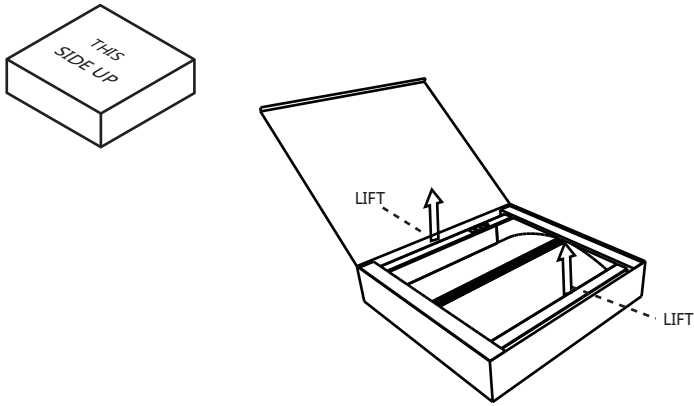


TROFFER Size:
2'x2', 2'x4'

WARNING : Before starting any work ensure that all sources of power are turned off. All work must meet local/national electrical codes and be performed by a certified electrician.

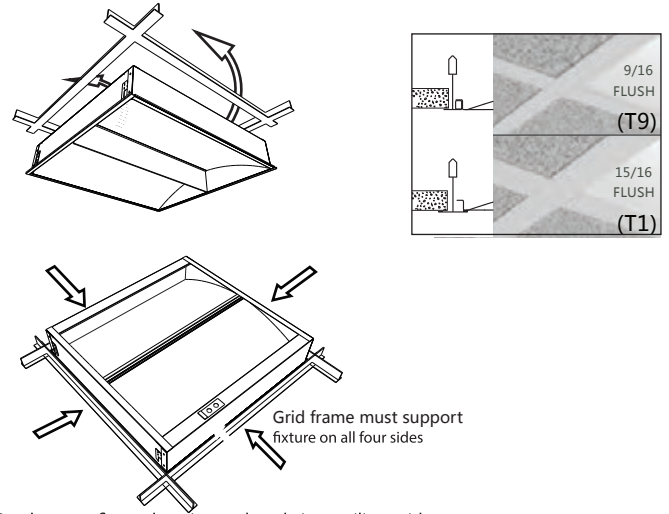
1. REMOVING FIXTURE FROM PACKAGING



- A. Ensure "THIS SIDE UP" is visible and packaging is oriented in the designated direction.
- B. Using CLEAN work gloves, carefully lift fixture out of packaging materials while holding on to opposite ends of fixture.

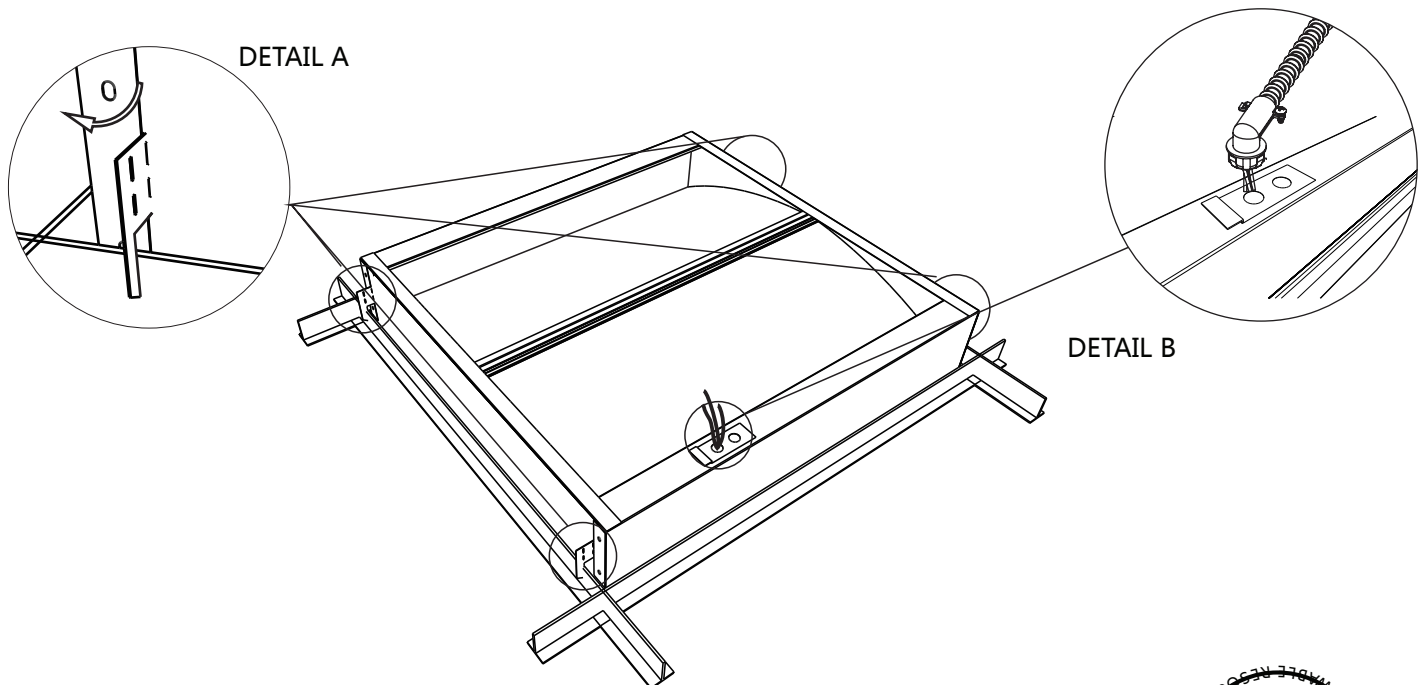
NOTE: AVOID CONTACT WITH LENSES

2. INSTALLING FIXTURE TO GRID



- A. Gently rotate fixture housing and angle into ceiling grid.
- B. Rest fixture inside the center of the ceiling grid prior to securing tabs.
- C. Ensure all fixtures are oriented in the same direction or as intended by others.

3. SECURING FIXTURE TO GRID

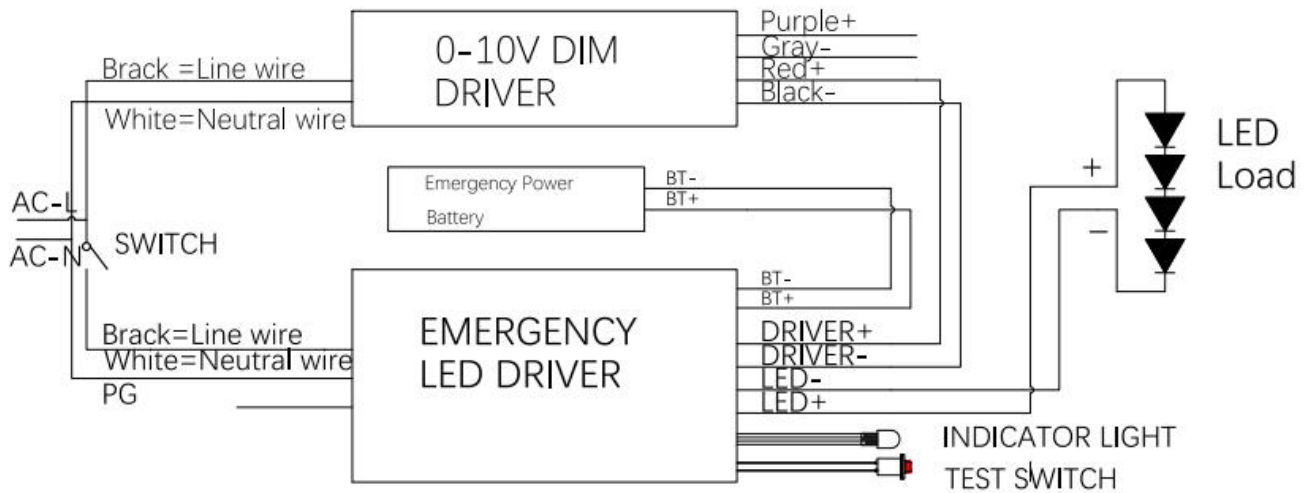
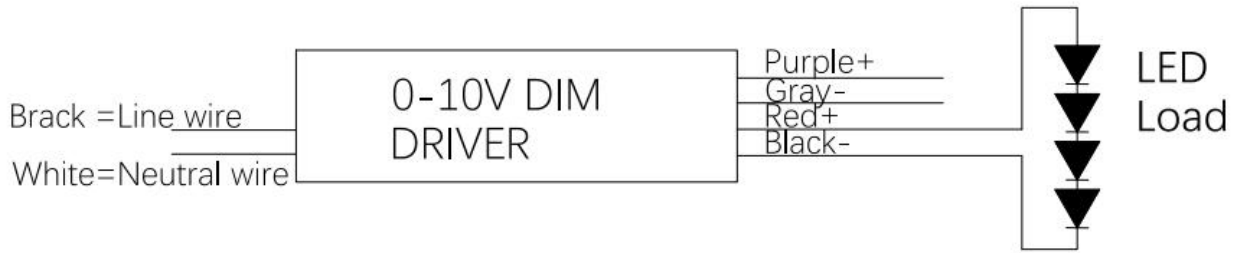


A. Bend tabs as shown in DETAIL A. Fold two tabs to 90 degree and align with two sides of grid.

B. Remove pre-installed wire access plate. Connect power feed to the leads provided in accordance with national and local building and electrical codes (DETAIL B). Note: A second wire knockout is provided for daisy-chain wire additional fixtures.



4. WIRING DIAGRAMS



WARNING:

RISK OF FIRE, ELECTRICAL SHOCK, CUTS AND OR OTHER CASUALTY HAZARDS. THIS PRODUCT MUST BE INSTALLED IN ACCORDANCE WITH THE APPLICABLE INSTALLATION CODE BY A PERSON FAMILIAR WITH THE CONSTRUCTION AND OPERATION OF THE PRODUCT AND THE HAZARDS INVOLVED. WE ASSUMES NO RESPONSIBILITY FOR CLAIMS BROUGHT ABOUT BY IMPROPER OR CARELESS INSTALLATION OR HANDLING OF THIS PRODUCT.

NOTICE: GREEN GROUND SCREW PROVIDED IN PROPER LOCATION. DO NOT RELOCATE

ATTENTION RECEIVING DEPARTMENT:

NOTE ACTUAL FIXTURE DESCRIPTION OF ANY SHORTAGE OR NOTICEABLE DAMAGE ON DELIVERY RECEIPT. FILE CLAIM FOR COMMON CARRIER (LTL) DIRECTLY WITH CARRIER. CLAIMS FOR CONCEALED DAMAGE MUST BE FILED WITHIN 15 DAYS OF DELIVERY. ALL DAMAGED MATERIAL, COMPLETE WITH ORIGINAL PACKING MUST BE RETAINED

NOTICE: IF SUPPLY WIRES ARE LOCATED WITHIN 3 INCHES OF BALLAST, USE WIRE RATED FOR AT LEAST 90°C (194°F).



Edges may cut.
Handle with care



Risk of burn. Disconnect power and allow fixture to cool before changing bulb or handling fixture.



Risk of Fire and Electric Shock. If not qualified, consult an electrician.