

10 YEAR WARRANTY



Not all products are qualified on the DLC® OPL. To view our DLC® qualified products, please consult the DLC® Qualified Products List at www.designlights.org/qpl.

POWERED BY
SYNAPSE

Project:

Prepared by:

Type:

Date:

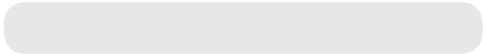
300W (39,000 lm)
400W (52,000 lm)
500W (65,000 lm)
750W (97,500 lm)
1250W (162,500 lm)

ORDERING INFORMATION

Sample SKU: SPL2-750-57-U-D-3

Series	Wattage	CCT	Input Voltage	Controls	Distribution	CRI
SPL2						
SPL2	300 - 300W 400 - 400W 500 - 500W 750 - 750W 1250 - 1250W	57 - 5700K 50 - 5000K 40 - 4000K	U - 100-277VAC H - 277-480VAC	D - 0-10V Dimming Do - Non-Dimming D1 - SYNAPSE Wireless Control System	3 - NEMA3 4 - NEMA4 5 - NEMA5 6 - NEMA6	70CRI - Standard 80CRI - Option 90CRI - Option

Accessories



SPL2-LG (Laser Guide Option)
SPL2-SF (Slip Fitter Option (For 300W-500W))
SPL2-PW (Pre-Wiring Connector)

*MOQ and longer lead times may apply, please contact customer service for more information.

TECHNICAL SPECIFICATIONS

CONSTRUCTION

IP/Enclosure Rating:
IP66/NEMA 4x/IK08 Impact

Operating Temperature:
-40°F-131°F

Housing:
Cold-forged aluminum

Driver Compartment:
Die-cast aluminum

Optics:
Precision injected molded UV resistance
PC modular optic

Wire Lead:
• 16/3, 10' SOOW (600V)

ELECTRICAL

Input Voltage:
• 100-277VAC
• 277-480VAC

THD:
<20%

Power Factor:
>0.95

Surge Protection:
40kV/20kA:
Compliant With:
- ANSI C136.2-2015 Extreme
- ANSI C82.77-5-2015 High Exposure
- IEEE C62.41.2 Location Category C High Exposure

CONTROLS/DIMMING

• Non-Dimming
• 0-10V Dimming
• SYNAPSE Wireless Control System

ENGINE & OPTICAL

Available NEMA Distribution:
NEMA3, NEMA4, NEMA5, NEMA6

CRI/TLCI:
• CRI>70 (Standard)
• CRI>80 (Optional)*
• CRI>90 (Optional)*
[TLCI is option available upon request]

Available CCT:
4000K, 5000K, 5700K

Projected L70:
>100,000 hrs

WARRANTY

10 Year Warranty
25 Year Warranty Option Available
See warranty documentation for more information.

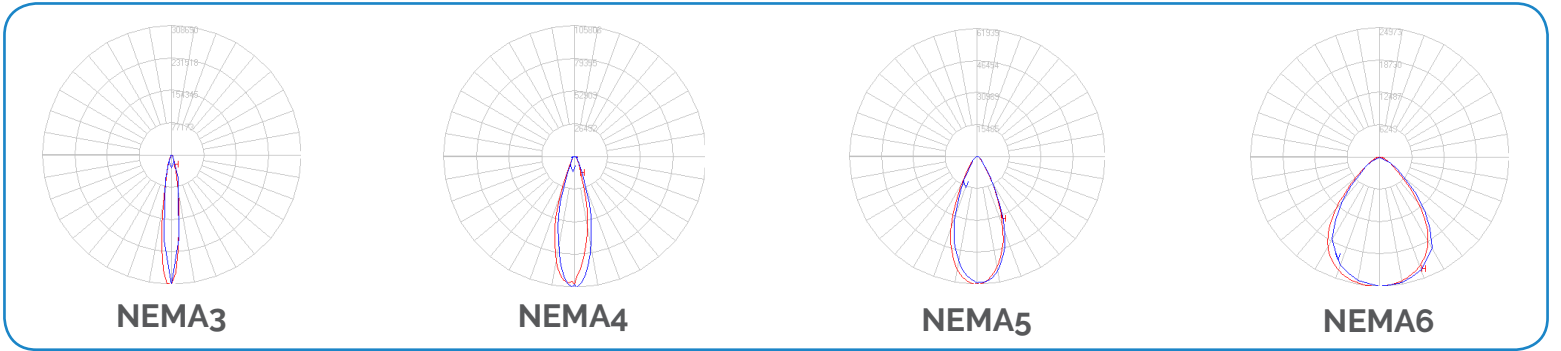
PERFORMANCE DATA

Wattage	300W	400W	500W	750W	1250W
Delivered Lumens	39000lm~41500lm	51000lm~54000	63700~66000lm	94000~99700lm	144800lm~162500lm
System Efficacy	Up to 130 lm/W				

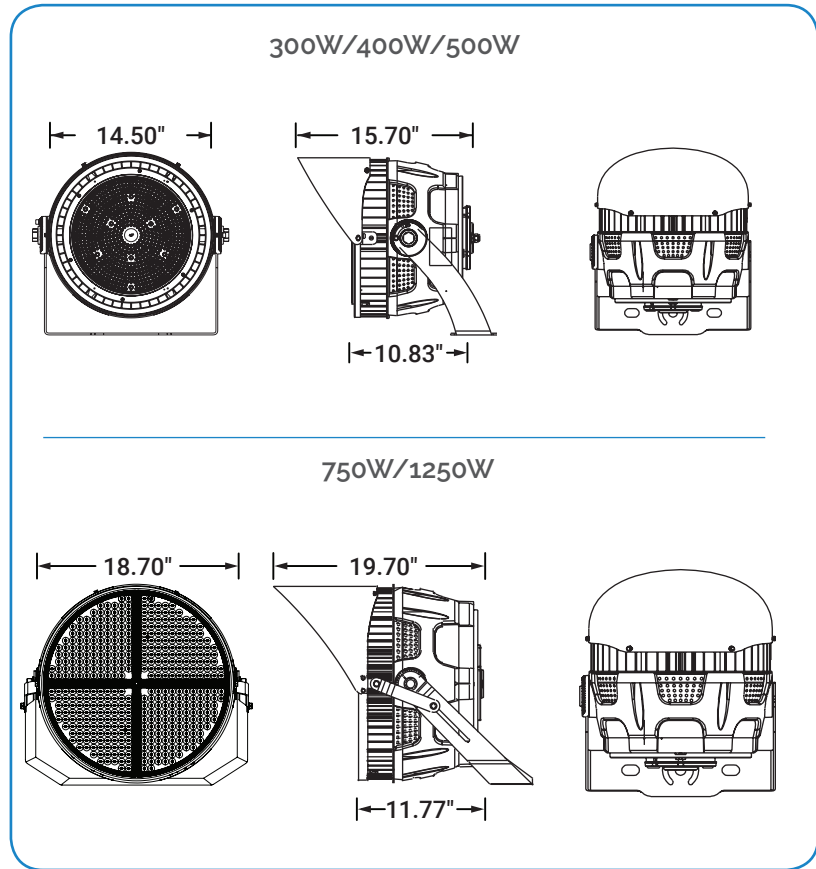
Typical delivered lumen data is approximate. Actual lumens may vary due to installation environment, NEMA Distribution and CRI. Please See IES Files.

NEMA DISTRIBUTION

*IESNA LM-63 IES Available upon request



DIMENSIONS



ELECTRICAL LOAD

Wattage (W)	Input Voltage					
	120V	208V	240V	277V	347V	480V
	Current (A)					
300	2.63	1.51	1.31	1.14	0.91	0.66
400	3.50	2.02	1.75	1.52	1.21	0.88
500	4.38	2.52	2.19	1.90	1.51	1.09
750	6.56	3.79	3.28	2.84	2.27	1.64
1250	10.94	6.31	5.47	4.74	3.78	2.73

EPA RATING

Wattage (W)	Front (ft²)	Side (ft²)
300/400/500	1.42	1.14
750/1250	2.08	1.67

Front (Visor Included) and Side (Visor Included): [Angled Body DC (Drag Coefficient)= 1.0]

WEIGHT

Wattage (W)	Weight (lb.)
300/400/500	33
750	56
1250	62

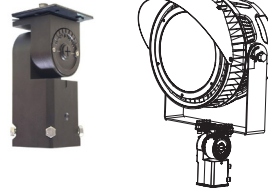
ACCESSORIES



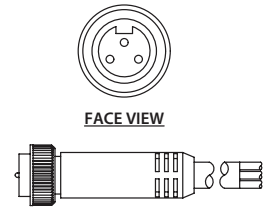
Visor Hood
[Included]



Laser Guide
[SPL2-LG]



Slip Fitter Round Tenon
(2 3/8" O.D.)
(Available only for 300W-500W)
[SPL2-SF]



Pre-Wire Connector
[SPL2-PW]

CONTROLS

POWERED BY



Integrated Node



- Future-Proof: Integral Wireless Access Node
- Adaptable Deployment – Offline or Cloud-Connected
- Web-Browser or App Based Management
- Multiple Zones, Behaviors, Events, and Schedules
- LTE Cellular Connectivity – No Internet Required
- Professional Commissioning and After-Sales Support



Central Control Base Station



WiFi or LAN Network
with browser base control interface



Cloud Control with
Verizon 4G LTE
(Optional)