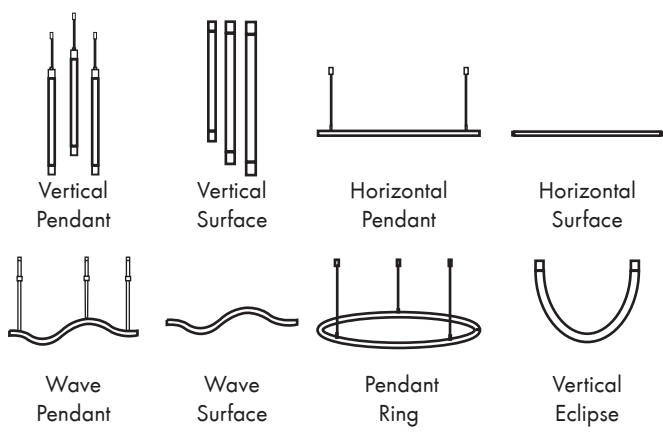


Date:	
Project Name:	
SKU #:	

LITESTRAND™
Decorative Lighting



MOUNTING OPTIONS



Posable
Rigid fixture capable of hold custom field manipulated shape.
Mounting hardware not included

APPLICATIONS

Office, Hospitality, Residential, Commercial

FEATURES

- | | |
|---|--|
| <p>Construction</p> <ul style="list-style-type: none"> - Extrusion molded high transmittance, food-grade environmental silicon material. | <p>Finish</p> <ul style="list-style-type: none"> - White |
| <p>Electrical & Technical</p> <ul style="list-style-type: none"> - Input Voltage: 120-277V - Input Frequency: 50/60Hz - Projected Life: L70 > 36,000 hrs - PF: >0.9 - CRI: 90 - THD: <20% - CCT: 2300K, 2700K, 3000K, 3500K, 4000K - Operating Temp.: -4°F ~ 104°F - IP Rating: IP65 [Indoor Use] - IK Rating: IK08 | <p>Optical</p> <ul style="list-style-type: none"> - 360° Uniform Illumination |
| <p>Controls</p> <ul style="list-style-type: none"> - 0-10V Dimming | <p>Installation/Mounting</p> <ul style="list-style-type: none"> - Vertical Pendant - Vertical Surface - Vertical Eclipse - Horizontal Pendant - Horizontal Surface - Pendant Ring - Wave Surface - Wave Pendant |

- Lumen Output**
- 2300K: 228 lm
 - 2700K: 289 lm
 - 3000K: 289 lm
 - 3500K: 289 lm
 - 4000K: 289 lm [Lumens Per Foot]

Warranty
- 3 Year Warranty



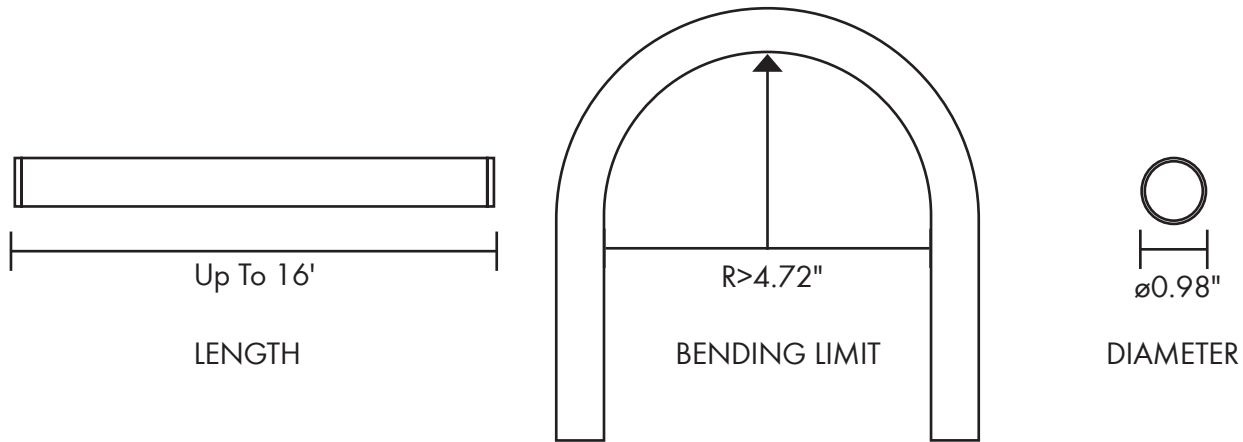
ORDERING INFORMATION **EXAMPLE: LS25-02-09-23K-U-D-VP**

Series	Length	Wattage	CCT	Input Voltage	Control	Mounting Options
LS25	02 - 2'	09 - 9W	23 - 2300K	U - 120-277V	D - 0-10V Dimming	VP - Vertical Pendant ¹ VS - Vertical Surface ¹ HP - Horizontal Pendant HS - Horizontal Surface WP - Wave Pendant WS - Wave Surface PR - Pendant Ring VE - Vertical Eclipse P - Posable
	04 - 4'	18 - 18W	27 - 2700K			
	06 - 6'	27 - 27W	30 - 3000K			
	08 - 8'	36 - 36W	35 - 3500K			
	12 - 12'	54 - 54W	40 - 4000K			
	16 - 16'	72 - 72W				

¹Note: When specifying Vertical Pendant or Vertical Surface mounting configurations, the LS25-TUBE-1 must be ordered separately, as it is not included with the fixture.

Accessories
LS25-TUBE-1 - PC Tube 3.3'

DIMENSIONS

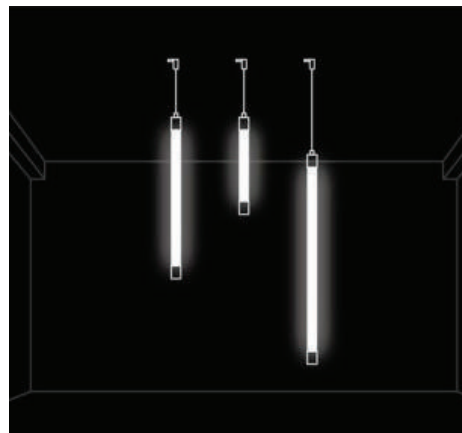


LUMEN OUTPUT

SKU	CCT (K)	Wattage (W/Ft)	Delivered Lumens (lm)	Efficacy (lm/W)
LS25-XX-XX-23K-U-D-XX	2300	4.4	228	51.8
LS25-XX-XX-27K-U-D-XX	2700	4.4	298	65.7
LS25-XX-XX-30K-U-D-XX	3000	4.4	298	65.7
LS25-XX-XX-35K-U-D-XX	3500	4.4	298	65.7
LS25-XX-XX-40K-U-D-XX	4000	4.4	298	65.7

ACCESSORIES

Vertical Pendant

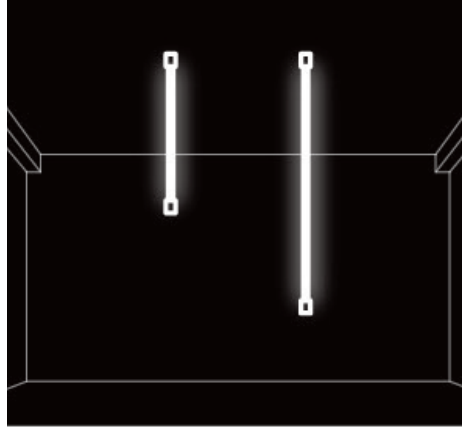
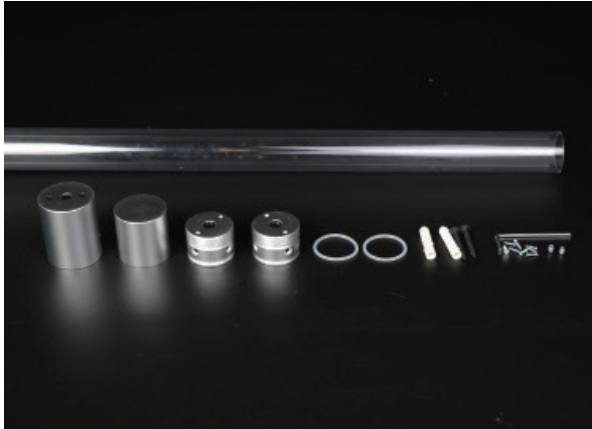


SKU	LS25-VP
Material	Aluminum
EC Length	1.654"
FC Diameter	1.25"
SP Length	2.677"
SP Diameter	1.24"
Internal Diameter	1"
Cable Length	Variable, 6' Max

Polycarbonate sleeve is required for LITESTRAND™ to hang perfectly vertical.
LS25-TUBE-1 (Sold Separately)

ACCESSORIES (Cont.)

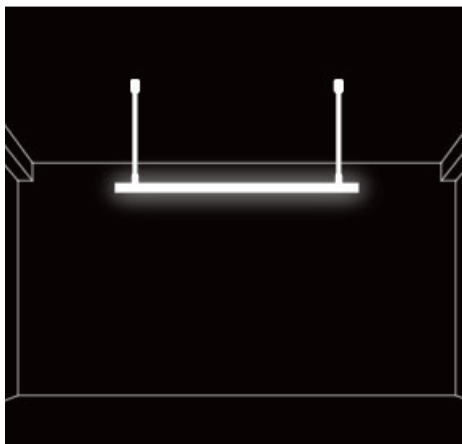
Vertical Surface



SKU	LS25-VS
Material	Aluminum
EC Length	1.32"
CM Length	2.677"
CM Diameter	1.654"
Internal Diameter	1.28"

Polycarbonate sleeve is required for LITESTRAND™ to hang perfectly vertical. LS25-TUBE-1 (Sold Separately)

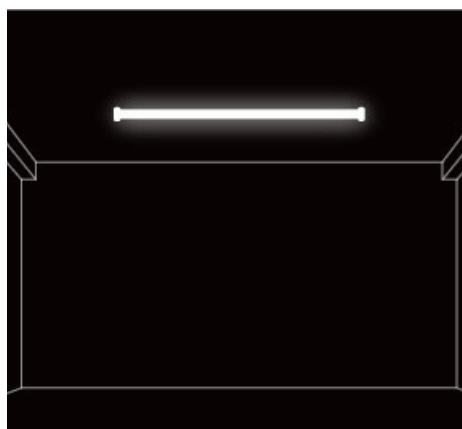
Horizontal Pendant



SKU	LS25-HP
Material	Clear Polycarbonate
Length	0.984"
Width	2.032"
Height	1.063"
Internal Width	1"

Polycarbonate sleeve is required for LITESTRAND™ to hang perfectly Horizontal.

Horizontal Surface

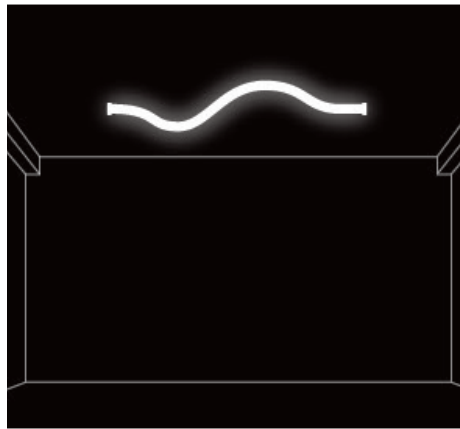


SKU	LS25-HS
Material	Clear Polycarbonate
Length	1.43"
Diameter	0.75"
Height	0.27"
Effective Height	0.11"

Polycarbonate sleeve is required for LITESTRAND™ to hang perfectly Horizontal.

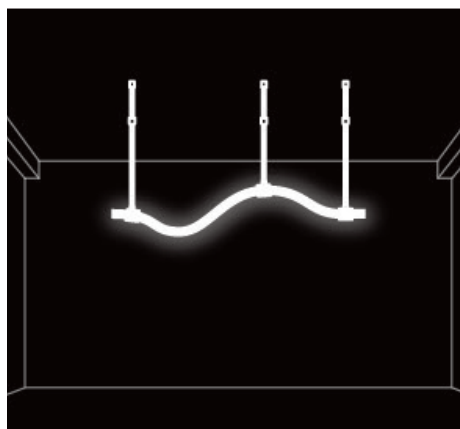
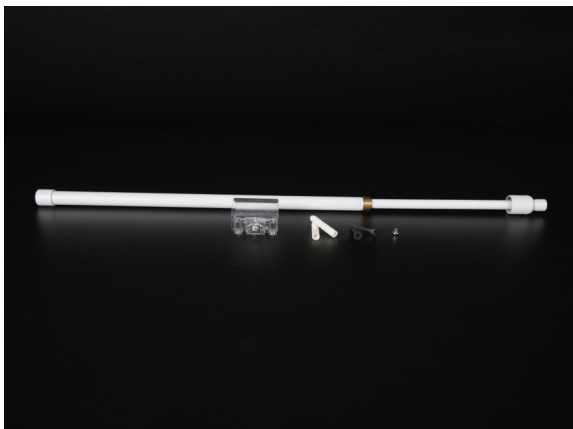
ACCESSORIES (Cont.)

Wave Surface



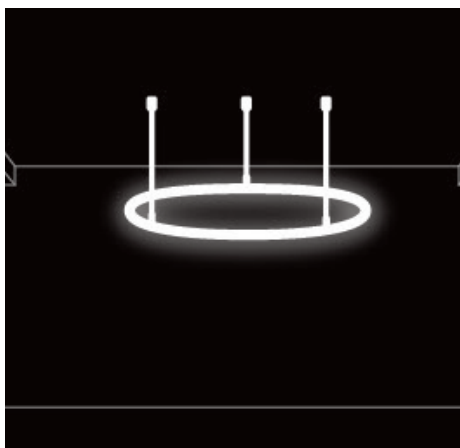
SKU	LS25-WS
Material	Clear Polycarbonate
Length	
Diameter	0.75"
Height	0.27"
Effective Height	0.11"

Wave Pendant



SKU	LS25-WP
Material	Aluminum
Length	1.358"
Diameter	1.22"
Internal Diameter	1.00"

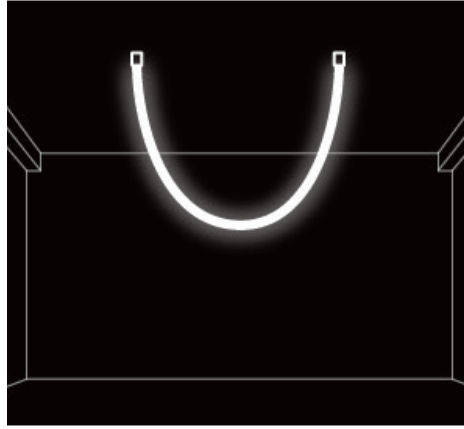
Pendant Ring



SKU	LS25-PR
Material	Aluminum
Length	1.358"
Diameter	1.22"
Internal Diameter	1.00"

ACCESSORIES (Cont.)

Vertical Eclipse



SKU	LS25-VE
Material	Aluminum
Length	1.654"
Diameter	1.28"
Internal Diameter	1.00"